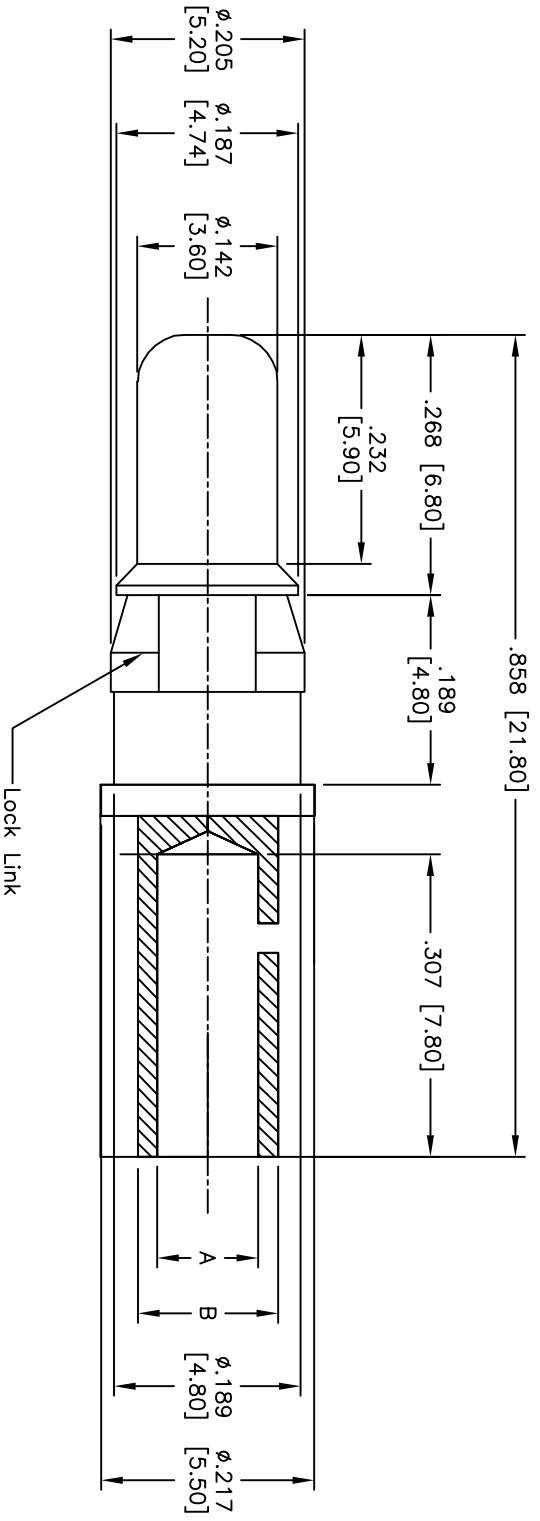


Rev	AWO #	Description	Date	Appr
-	10199	RELEASED	5/11/10	

APPROVED: \_\_\_\_\_  
 DATE: \_\_\_\_\_ TITLE: \_\_\_\_\_



ADAM P/N	Current Rating	Wire size	Dimension	
			ØA	ØB
PRP-40A-G	40 Amps	AWG #8	Ø.181 [4.60]	Ø.217 [5.50]
PRP-30A-G	30 Amps	AWG #10	Ø.146 [3.70]	Ø.181 [4.60]
PRP-20A-G	20 Amps	AWG #12	Ø.106 [2.70]	Ø.142 [3.60]
PRP-10A-G	10 Amps	AWG #16	Ø.067 [1.70]	Ø.098 [2.50]

**SPECIFICATIONS:**  
 Material:  
 Body: Brass, gold flash plated  
 Lock Link: Brass, Nickel plated  
 Environmental:  
 Lead free, RoHS compliant



UNLESS OTHERWISE SPECIFIED  
 ALL DIMENSIONS ARE INCHES [MM]  
 TOLERANCES: EXCEPT AS NOTED  
 INCHES  
 .X ±.10 Ø.X ±.10  
 .XX ±.020 Ø.XX ±.015  
 .XXX ±.015 Ø.XXX ±.010

**ADAM TECH**  
 909 Rahway Avenue, Union, NJ 07083  
 Phone: 908-687-5000 Fax: 908-687-5710

TITLE: **POWER PLUG, STRAIGHT CRIMP CUP TYPE**

APPROVALS		DATE
DRAWN	DY	5/11/10
CHECKED		
APPROVED		

SIZE	PART NO.	REV.
X	PRP-XXA-G	-
REF: S00019T	SCALE: NTS	SHEET 1 OF 1