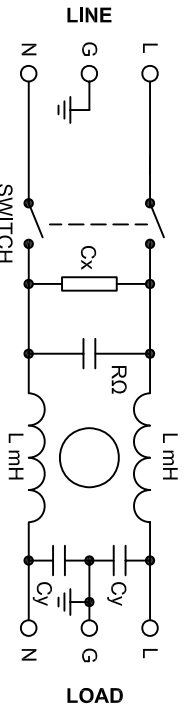
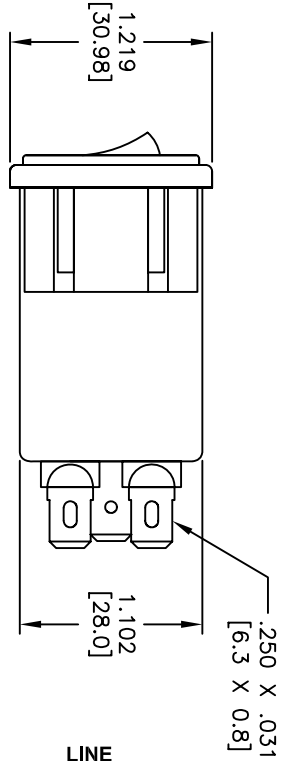
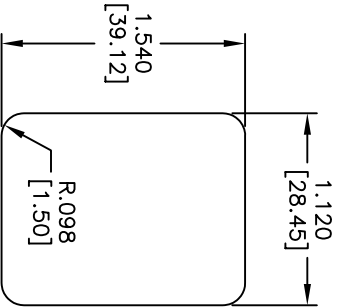


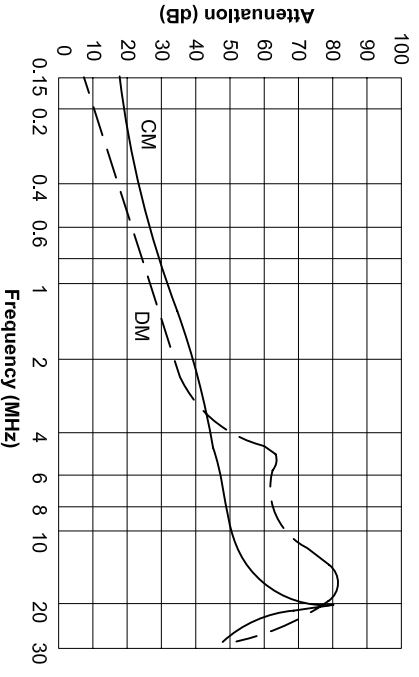
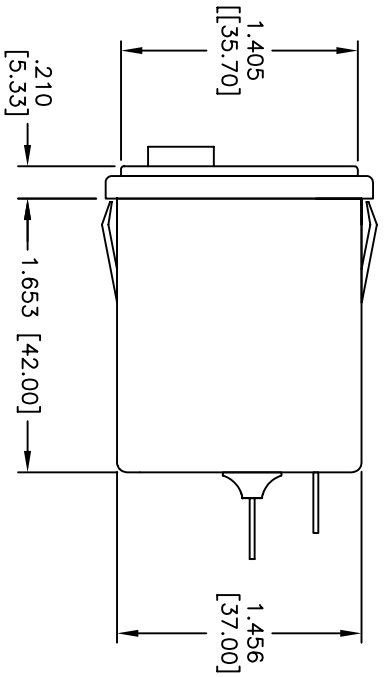
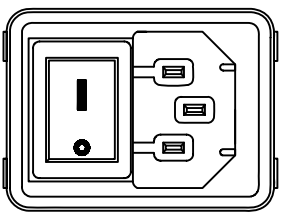
Rev	AWO #	Description	Date	Appr
-		RELEASED	12/11/06	

APPROVED: _____
 DATE: _____ TITLE: _____



L = 2 X 0.82mH Cx = 0.1uF Cy = 2200pF R = 1.5MΩ

RECOMMENDED
 PANEL CUT-OUT



Insertion Loss in dB (Measured in 50Ω systems, as IEC / cispr. No. 17)

SPECIFICATIONS:

- Material: Insulator: Nylon 66, glass reinforced, rated UL 94V-0
- Insulator color: Black
- Contacts: Phosphor Bronze
- Casing: Copper Alloy, Nickel plated
- Plating: Nickel over Copper underplate overall
- Electrical:
 - Operating voltage: 120/250 VAC
 - Current rating: 6 Amps max
 - Insulation resistance: 3,000 Mohms min
 - Dielectric withstanding voltage: 2,000 VAC for 1 minute
 - Ground capacitance: 2.2 nF
 - Leakage current: 0.3 mA max
- Temperature Rating: Operating temperature: -25°C to +70°C
- Environmental: Lead free, RoHS compliant



ADAM TECH

909 Rahway Avenue, Union, NJ 07083
 Phone: 908-687-5000 Fax: 908-687-5710

TITLE: EMIRFI POWER FILTER, 6 AMP WITH SWITCH

UNLESS OTHERWISE SPECIFIED ALL DIMENSIONS ARE INCHES [MM]		TOLERANCES: EXCEPT AS NOTED	
INCHES	HOLDERS	INCHES	HOLDERS
.X ± .10	ØX ± .10	.XX ± .020	ØXX ± .015
.XXX ± .015	ØXXX ± .010		
APPROVALS	DATE	SIZE	PART NO.
SS	12/11/06	X	PLF-6DZ2K
DRAWN		SCALE:	NTS
CHECKED		SHEET	1 OF 1
APPROVED		REV.	