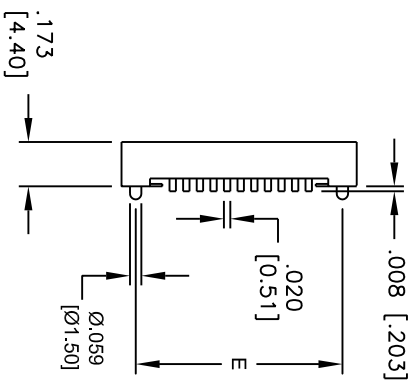
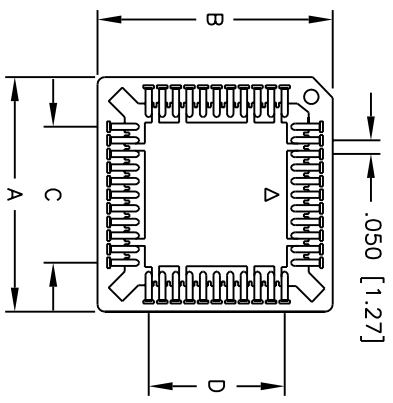
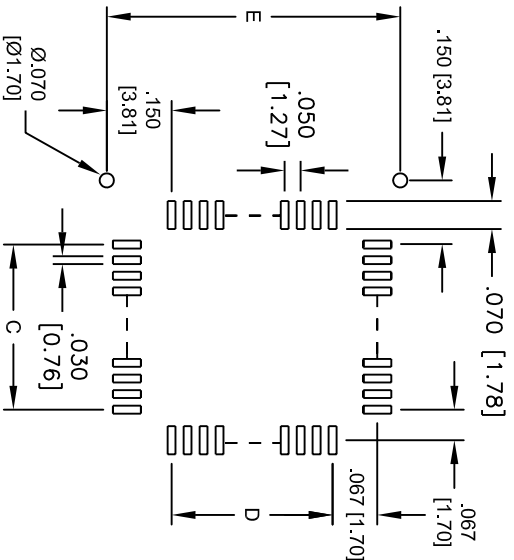


Rev	AWO #	Description	Date	Appr
-		RELEASED	12/9/04	

APPROVED: _____
 DATE: _____ TITLE: _____



POSITIONS	A	B	C	D	E
20	.616 [15.65]	.616 [15.65]	.200 [5.08]	.200 [5.08]	.500 [12.70]
28	.715 [18.16]	.715 [18.16]	.300 [7.62]	.300 [7.62]	.600 [15.24]
32	.715 [18.16]	.817 [20.75]	.300 [7.62]	.400 [10.16]	.700 [17.78]
44	.917 [23.28]	.917 [23.28]	.500 [12.70]	.500 [12.70]	.800 [20.32]
52	1.017 [25.84]	1.017 [25.84]	.600 [15.24]	.600 [15.24]	.900 [22.86]
68	1.219 [30.95]	1.219 [30.95]	.800 [20.32]	.800 [20.32]	1.10 [27.94]
84	1.417 [36.00]	1.417 [36.00]	1.000 [25.40]	1.000 [25.40]	1.300 [33.02]



RECOMMENDED
PCB LAYOUT

SPECIFICATIONS:

Material:
 Insulator: PPS, Glass reinforced, rated UL 94V-0
 Insulator color: Brown
 Contacts: Phosphor Bronze
 Plating:
 Tin over Copper underplate overall
Electrical:
 Operating voltage: 250 VAC max
 Current rating: 1 Amp max
 Contact resistance: 30 mohms max initial
 Insulation resistance: 1000 Mohms min
 Dielectric withstanding voltage: 500 VAC for 1 minute
 Temperature Rating:
 Operating temperature: -55°C to +105°C
 Max Process Temperature:
 230°C for 30 seconds
 260°C for 5 seconds

ADAM TECH

909 Rahway Avenue, Union, NJ 07083
 Phone: 908-687-5000 Fax: 908-687-5710

PLCC SOCKET, SURFACE MOUNT,
 TIN PLATED, WITH LOCATING PEGS

UNLESS OTHERWISE SPECIFIED ALL DIMENSIONS ARE INCHES [MM]	
TOLERANCES: EXCEPT AS NOTED	HOLDS
.X ± .10	ØXX ± .10
.XX ± .020	ØXXX ± .015
.XXX ± .015	ØXXXX ± .010
APPROVALS	DATE
DRAWN	SS
CHECKED	12/9/04
APPROVED	

SIZE	PART NO.	REV.
X	PLCC-XX-AT-SMT-P	-
REF:	SCALE: NTS	SHEET 1 OF 1