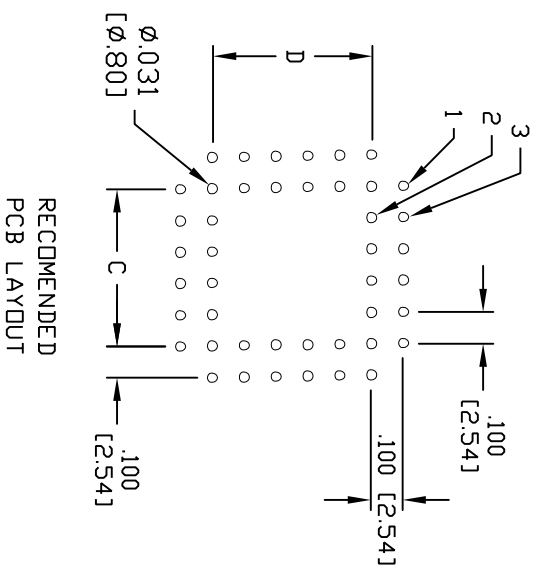
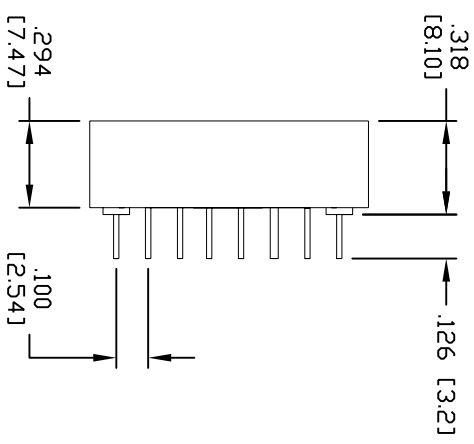
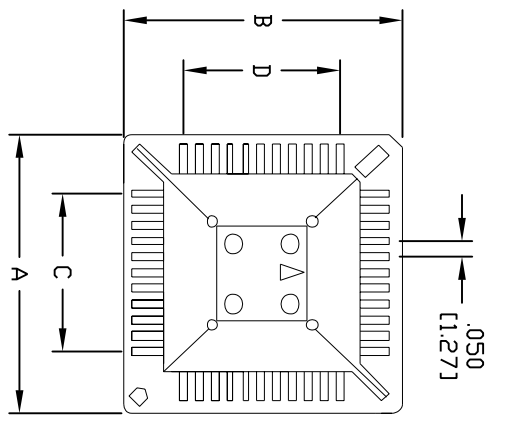


| Rev | AWO # | Description | Date    | Appr |
|-----|-------|-------------|---------|------|
| -   |       | RELEASED    | 11/8/04 |      |

APPROVED: \_\_\_\_\_  
 DATE: \_\_\_\_\_ TITLE: \_\_\_\_\_



| POSITIONS | A      |       | B      |       | C      |       | D      |       |
|-----------|--------|-------|--------|-------|--------|-------|--------|-------|
|           | INCHES | MM    | INCHES | MM    | INCHES | MM    | INCHES | MM    |
| 20        | 0.610  | 15.50 | 0.610  | 15.50 | 0.200  | 5.08  | 0.200  | 5.08  |
| 28        | 0.710  | 18.03 | 0.710  | 18.03 | 0.300  | 7.62  | 0.300  | 7.62  |
| 32        | 0.710  | 18.03 | 0.810  | 20.57 | 0.300  | 7.62  | 0.400  | 10.16 |
| 44        | 0.925  | 23.50 | 0.925  | 23.50 | 0.500  | 12.70 | 0.500  | 12.70 |
| 52        | 1.018  | 25.88 | 1.018  | 25.88 | 0.600  | 15.24 | 0.600  | 15.24 |
| 68        | 1.220  | 31.00 | 1.220  | 31.00 | 0.800  | 20.32 | 0.800  | 20.32 |
| 84        | 1.417  | 36.00 | 1.417  | 36.00 | 1.000  | 25.40 | 1.000  | 25.40 |

**SPECIFICATIONS:**  
**Material:** PPS, Glass reinforced, rated UL 94V-0  
**Insulator color:** Brown  
**Contacts:** Phosphor Bronze  
**Plating:** Gold Flash over Nickel underplate overall  
**Electrical:**  
 Operating voltage: 250 VAC max  
 Current rating: 1 Amp max  
 Contact resistance: 30 mohms max initial  
 Insulation resistance: 1000 Mohms min  
 Dielectric withstanding voltage: 500 VAC for 1 minute  
**Temperature Rating:**  
 Operating temperature: -55°C to +105°C  
 Max Process Temperature: 250°C for 30 seconds  
 260°C for 5 seconds

UNLESS OTHERWISE SPECIFIED  
 ALL DIMENSIONS ARE INCHES [MM]  
 TOLERANCES: EXCEPT AS NOTED  
 INCHES Holes  
 .X ± .10 ØXX ± .10  
 .XX ± .020 ØXXX ± .015  
 .XXX ± .015 ØXXXX ± .010

**ADAM TECH**  
 909 Railway Avenue, Union, NJ 07083  
 Phone: 908-687-5000 Fax: 908-687-5710

TITLE: PLCC SOCKET, 20 ~ 84 POSITION, PCB HI-TEMP INSULATOR

|          |    |         |      |          |               |              |
|----------|----|---------|------|----------|---------------|--------------|
| DRAWN    | SS | 11/8/04 | SIZE | PART NO. | PLCC-XX-AG-HT | REV.         |
| CHECKED  |    |         | X    |          |               |              |
| APPROVED |    |         | REF: | SCALE:   | NTS           | SHEET 1 OF 1 |