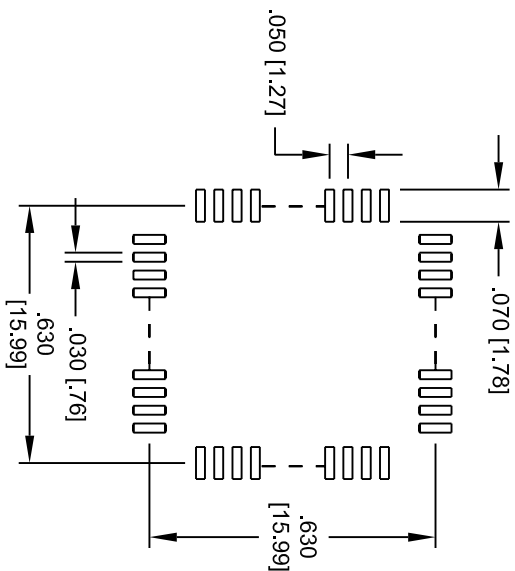
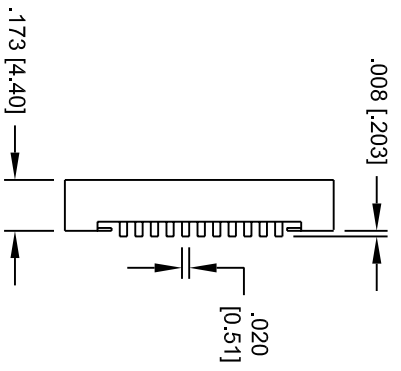
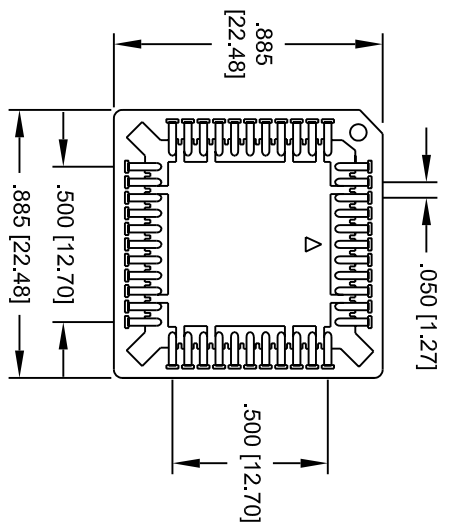


Rev	AWO #	Description	Date	Appr
-		RELEASED	10/12/04	

APPROVED: _____
 DATE: _____ TITLE: _____



RECOMMENDED
PCB LAYOUT

SPECIFICATIONS:

- Material: PPS, glass reinforced, rated UL 94V-0
- Insulator color: Brown
- Contacts: Phosphor Bronze
- Plating: Tin over Copper underplate overall
- Electrical:
 - Operating voltage: 250 VAC max
 - Current rating: 1 Amp max
- Operating voltage: 250 VAC max
- Current rating: 1 Amp max
- Contact resistance: 30 mohms max
- Insulation resistance: 1000 Mohms min @ 500 VDC
- Dielectric withstanding voltage: 500 VAC for 1 minute
- Temperature Rating:
 - Operating temperature: -55°C to +105°C

A

A

B

B

C

C

D

D

ADAM TECH

909 Rahway Avenue, Union, NJ 07083
 Phone: 908-687-5000 Fax: 908-687-5710

TITLE
PLCC SOCKET, 44 PIN, SMT

UNLESS OTHERWISE SPECIFIED ALL DIMENSIONS ARE MM [INCHES] TOLERANCES: EXCEPT AS NOTED		INCHES		Holes	
.X	± .10	ØX	± .10		
.XX	± .020	ØXXX	± .015		
.XXX	± .015	ØXXX	± .010		
APPROVALS		DATE			
DRAWN	SS	10/12/04			
CHECKED					
APPROVED					

SIZE	PART NO.	REV.
X	PLCC-44-AT-SMT	-
REF:	SCALE: NTS	SHEET 1 OF 1

6

5

4

3

2

1