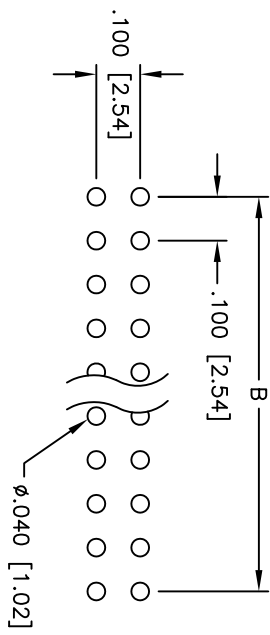
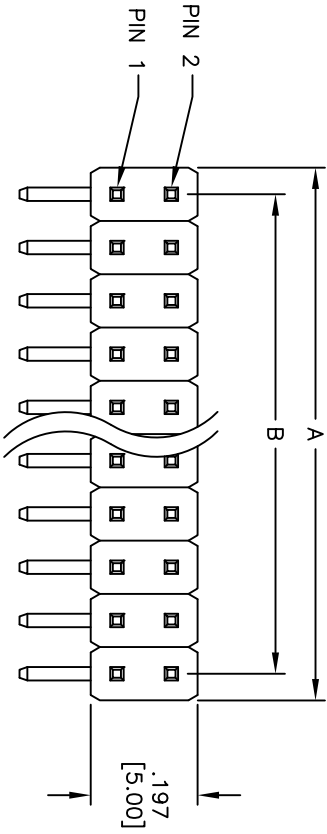
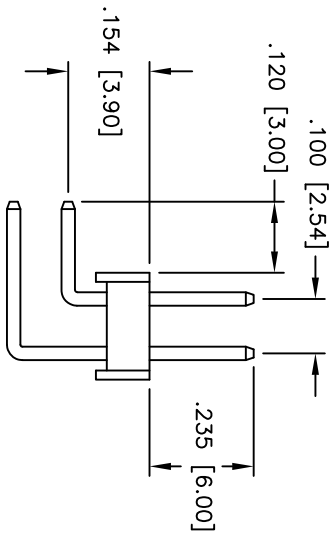
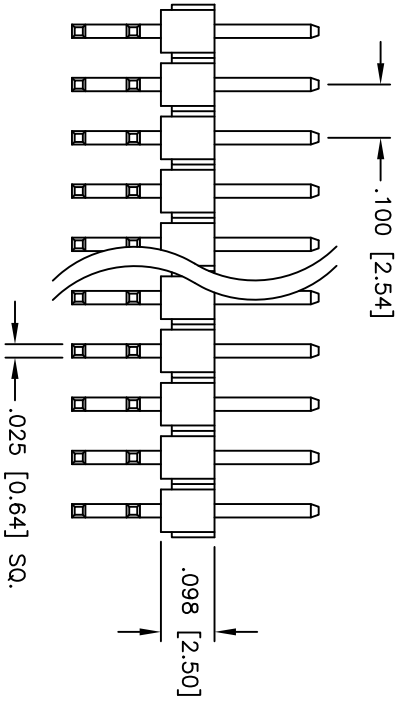


| Rev | AWO # | Description | Date | Appr |
|-----|-------|-------------|----------|------|
| - | | RELEASED | 12/16/10 | |

APPROVED: _____
 DATE: _____ TITLE: _____



PCB LAYOUT



SPECIFICATIONS:

Material: Insulator: PBT, glass reinforced, rated UL 94V-0
 Insulator color: Black
 Contacts: Brass
 Plating: 15u" Gold over Nickel underplate on contact area, Tin over Copper underplate on tails
 Electrical: Operating voltage: 250 VAC max
 Current rating: 3 Amps max
 Contact resistance: 20 mohms max
 Insulation resistance: 5,000 Mohms min @ 500 VDC
 Dielectric withstanding voltage: 1,000 VAC for 1 minute
 Temperature Rating: Operating temperature: -55°C to +105°C

Positions: 2 thru 80
 A = .100 [2.54] x No. of Positions per Row
 B = .100 [2.54] x No. of Spaces

ADAM TECH

909 Railway Avenue, Union, NJ 07083
 Phone: 908-687-5000 Fax: 908-687-5710

TITLE: .100 [2.54] DUAL ROW PIN HEADER, RIGHT ANGLE
 15u" SELECTIVE GOLD PLATED



Environmental: Lead free, RoHS compliant
 Recommended soldering temp: 235°C for 5 seconds

| | | | | | |
|---|-------|----------|-------------|-----------|--------|
| UNLESS OTHERWISE SPECIFIED ALL DIMENSIONS ARE INCHES [MM] TOLERANCES: EXCEPT AS NOTED | | INCHES | | HOLE SIZE | |
| .X | ±.10 | ØXX | ±.10 | ØXX | ±.015 |
| .XX | ±.020 | ØXXX | ±.015 | ØXXX | ±.010 |
| .XXX | ±.015 | ØXXXX | ±.010 | ØXXXX | ±.010 |
| APPROVALS | | DATE | | DATE | |
| DRAWN | AY | 12/16/10 | | 12/16/10 | |
| CHECKED | VW | 12/16/10 | | 12/16/10 | |
| APPROVED | | | | | |
| TITLE | | SIZE | PART NO. | REV. | |
| .100 [2.54] DUAL ROW PIN HEADER, RIGHT ANGLE | | X | PH2RA-XX-VA | - | |
| REF: | | SCALE: | MKS | SHEET | 1 OF 1 |