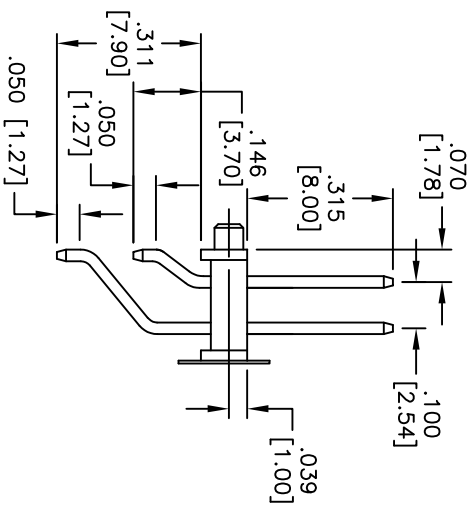
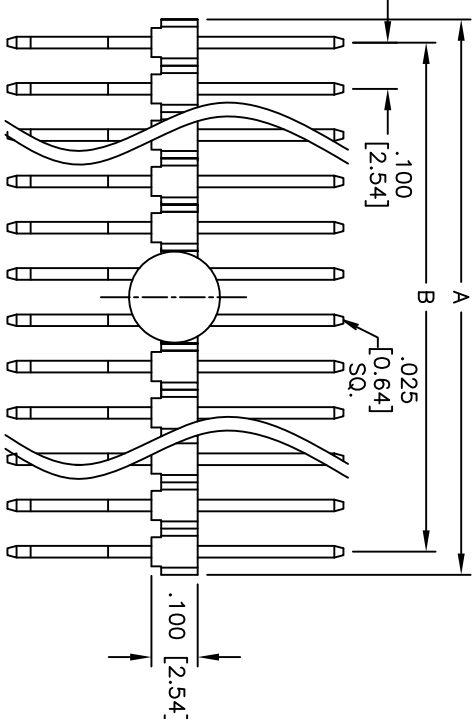
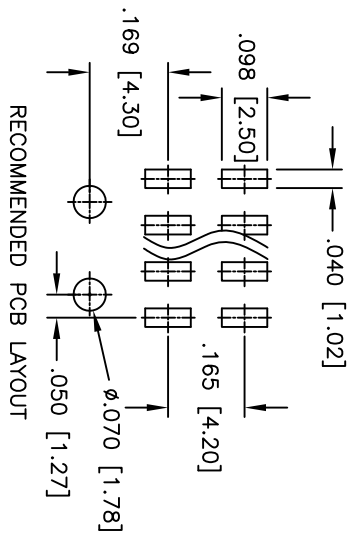
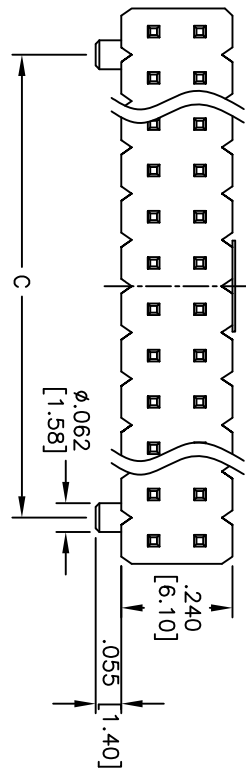


Rev	AWO #	Description	Date	Appr
-		RELEASED	6/01/11	

APPROVED: _____
 DATE: _____ TITLE: _____



SPECIFICATIONS:
 Material: Nylon 6T, glass reinforced, rated UL 94V-0
 Insulator color: Black
 Contacts: Brass
 Plating: Gold flash over Nickel underplate overall.

Electrical:
 Current rating: 3 Amp max
 Contact resistance: 20 mohms max
 Insulation resistance: 1,000 Mohms min
 Dielectric withstanding voltage: 600 VAC for 1 minute
 Temperature Rating: Operating temperature: -40°C to +105°C
 Environmental: Lead free, ROHS compliant
 Recommended soldering temp: 260°C for 5 seconds



A = .100 [2.54] x No. of Positions per row
 B = .100 [2.54] x No. of Spaces
 C = .100 [2.54] x No. of Spaces - .100 [2.54]

UNLESS OTHERWISE SPECIFIED
 ALL DIMENSIONS ARE IN INCHES [MM]
 TOLERANCES: EXCEPT AS NOTED
 INCHES: .X ± .10 ØX ± .10
 .XX ± .020 ØXX ± .015
 .XXX ± .015 ØXXX ± .010

ADAM TECH
 909 Rahway Avenue, Union, NJ 07083
 Phone: 908-687-5000 Fax: 908-687-5710

TITLE: .100 [2.54] DUAL ROW PIN HEADER
 RIGHT ANGLE, SMT, GOLD PLATED

APPROVALS	DATE
DRAWN	6/01/11
CHECKED	
APPROVED	

SIZE	PART NO.	REV.
X	PH2RA-XX-UB-SMT-P-KT-T/R	-
REF: S00032T	SCALE: NTS	SHEET 1 OF 1