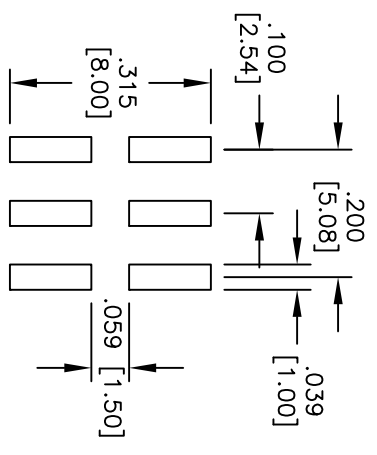
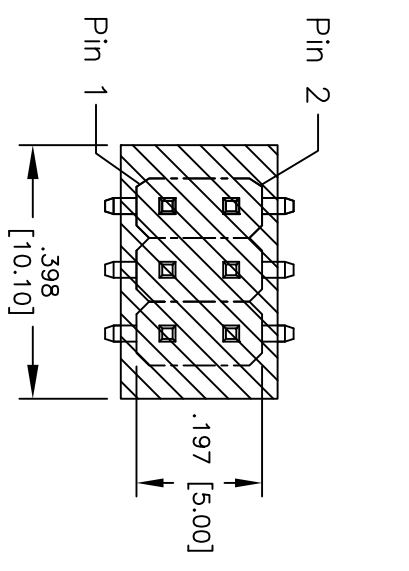
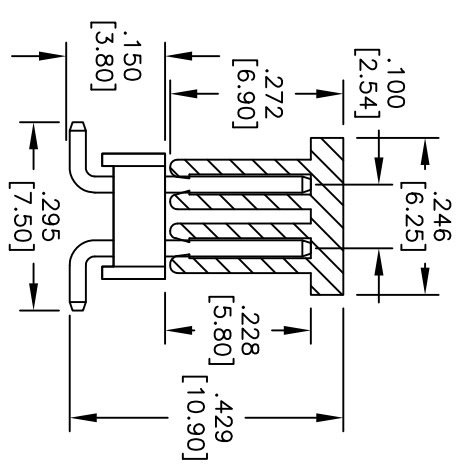
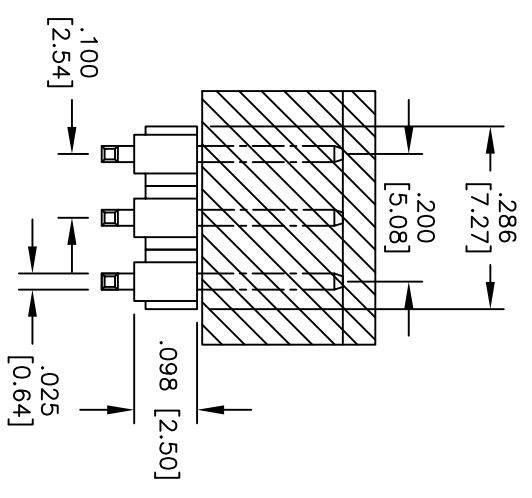


Rev	AWO #	Description	Date	Appr
-	9730	RELEASED	9/10/09	

APPROVED: _____
 DATE: _____ TITLE: _____



RECOMMENDED PCB LAYOUT



PACKAGED ON TAPE & REEL

SPECIFICATIONS:

Material:
 Insulator: Hi-temp thermoplastic, rated UL 94V-0
 Insulator color: Black
 Contacts: Brass

Plating:

Gold Flash over Nickel underplate on contact area,
 Tin over Copper underplate on SMT tails

Electrical:

Current rating: 3 Amps max
 Contact resistance: 20 mOhms max.
 Insulation resistance: 5000 Mohms min
 Dielectric withstanding voltage: 500 VAC for 1 minute

Temperature Rating:

Operating temperature: -40°C to +105°C
 Environmental:
 Lead free, RoHS compliant.
 Recommended soldering temp: 260°C for 5 sec.



UNLESS OTHERWISE SPECIFIED
 ALL DIMENSIONS ARE INCHES [MM]
 TOLERANCES: EXCEPT AS NOTED

INCHES	HOLES
.X ± .10	Ø.X ± .10
.XX ± .020	Ø.XXX ± .015
.XXX ± .015	Ø.XXX ± .010

APPROVALS

DRAWN	DY	9/10/09
CHECKED		
APPROVED		

ADAM TECH
 909 Ratway Avenue, Union, NJ 07083
 Phone: 908-687-5000 Fax: 908-687-5710

TITLE: .100 DUAL ROW PIN HEADER, SEL GOLD, SMT, PICK & PLACE CAP, TAPE & REEL

SIZE	PART NO.	REV.
X	PH2-06-SGA-SMT-PP-T/R	
REF:	S00059T	
SCALE:	NTS	
SHEET	1 OF 1	