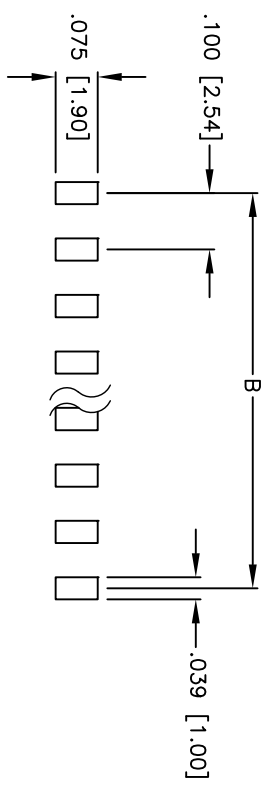
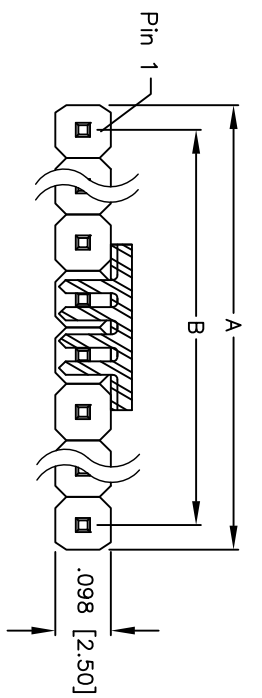
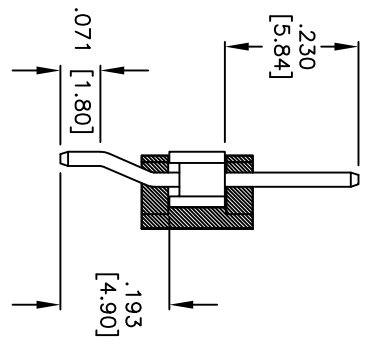
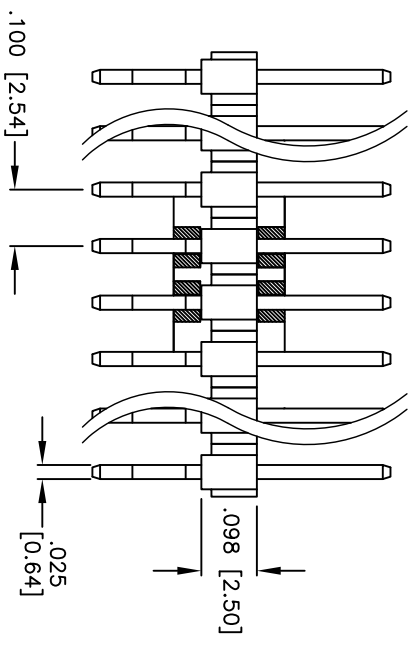


Rev	AWO #	Description	Date	Appr
-		RELEASED	8/16/10	

APPROVED: \_\_\_\_\_  
 DATE: \_\_\_\_\_ TITLE: \_\_\_\_\_



Recommended PCB Layout



PACKAGED ON TAPE & REEL

A = .100 [2.54] x No. of Spaces + .086 [2.19]  
 B = .100 [2.54] x No. of Spaces

SPECIFICATIONS:

**Material:**  
 Insulator: Nylon 6T, rated UL 94V-0  
 Insulator color: Black  
 Contacts: Brass  
**Plating:**  
 30u" Gold over Nickel underplate on contact area,  
 Tin over Copper underplate on tails.  
**Electrical:**  
 Operating voltage: 250 VAC max  
 Current rating: 3 Amps max  
 Contact resistance: 20 mohms max  
 Insulation resistance: 5000 Mohms min @ 500 VDC  
 Dielectric withstanding voltage: 500 VAC min rms  
**Temperature Rating:**  
 Operating temperature: -55°C to +105°C  
**Environmental:**  
 Lead free, RoHS compliant.  
 Recommended soldering temp: 260°C for 5 sec.

UNLESS OTHERWISE SPECIFIED  
 ALL DIMENSIONS ARE INCHES [MM]  
 TOLERANCES: EXCEPT AS NOTED

INCHES	HOLDS
.X ± .10	± .10
.XX ± .020	± .015
.XXX ± .015	± .010

APPROVALS: \_\_\_\_\_ DATE: \_\_\_\_\_

**ADAM TECH**  
 909 Railway Avenue, Union, NJ 07083  
 Phone: 908-687-5000 Fax: 908-687-5710

TITLE: PIN HEADER, SINGLE ROW, .100" PITCH  
 W/ CAP, 30u" SEL GOLD PLATED

DRAWN	DY	8/16/10	SIZE	PART NO.	REV.
CHECKED			X	PH1RB-XX-W-SMT-.230-PP-1R	-
APPROVED			REF:	S00093T	
			SCALE:	NTS	SHEET 1 OF 1

