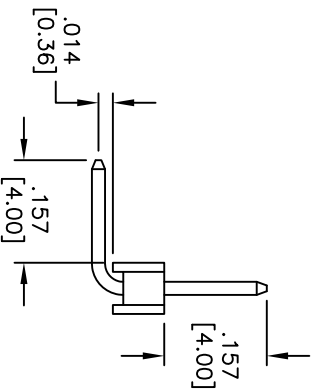
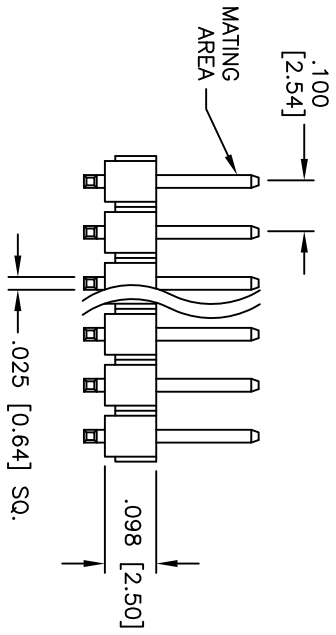
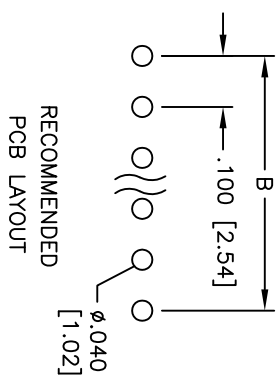
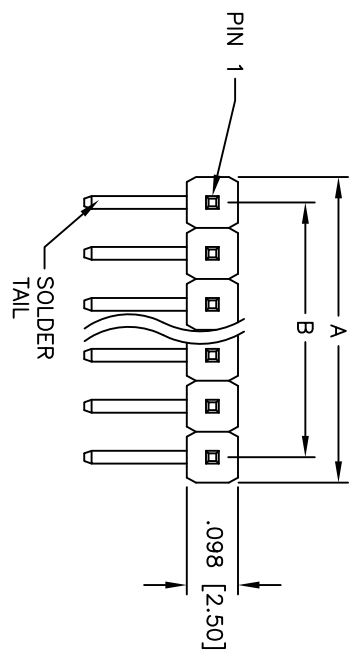


Rev	AWO #	Description	Date	Appr
-		RELEASED	10/25/10	

APPROVED: \_\_\_\_\_  
 DATE: \_\_\_\_\_ TITLE: \_\_\_\_\_



**SPECIFICATIONS:**  
 Material: Insulator: PBT, glass reinforced, rated UL 94V-0  
 Insulator color: Black  
 Contacts: Brass  
 Plating: Gold flash over Nickel underplate overall.

**Electrical:**  
 Current rating: 3 Amps max  
 Contact resistance: 20 mohms max  
 Insulation resistance: 5,000 Mohms min @ 500 VDC  
 Dielectric withstanding voltage: 500 VAC for 1 minute  
 Temperature Rating: Operating temperature: -40°C to +105°C  
 Environmental: Lead free, ROHS compliant  
 Recommended soldering temp: 235°C for 5 seconds

A = .100 [2.54] x No. of Spaces + .086 [2.19]  
 B = .100 [2.54] x No. of Spaces

# ADAM TECH

909 Rahway Avenue, Union, NJ 07083  
 Phone: 908-687-5000 Fax: 908-687-5710

TITLE: .100 [2.54] SINGLE ROW PIN HEADER  
 RIGHT ANGLE, LOW PROFILE, GOLD PLATED

UNLESS OTHERWISE SPECIFIED ALL DIMENSIONS ARE INCHES [MM]	
TOLERANCES: EXCEPT AS NOTED	
INCHES	HOLDS
.X ± .10	ØX ± .10
.XX ± .020	ØXXX ± .015
.XXX ± .015	ØXXXX ± .010
APPROVALS	DATE
DRAWN	DY
CHECKED	
APPROVED	

SIZE	PART NO.	REV.
X	PH1RB-XX-U-.157/.157/.014	-
REF:	SCALE: NTS	SHEET 1 OF 1

