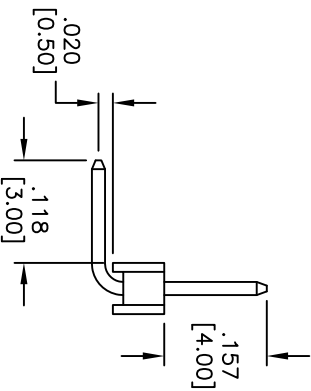
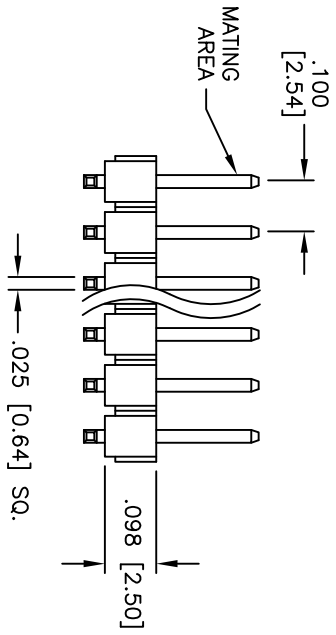
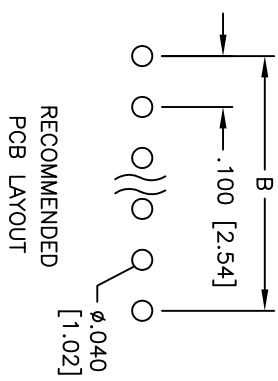
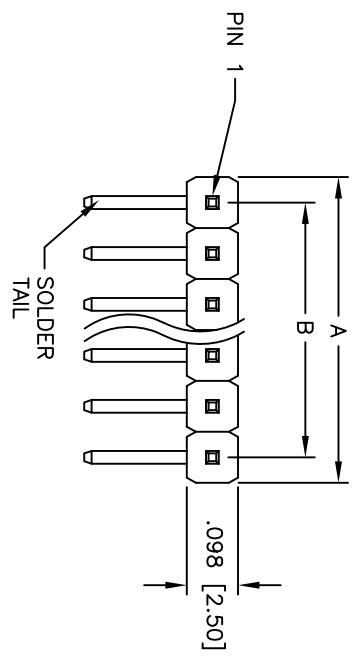


| Rev | AWO # | Description | Date     | Appr |
|-----|-------|-------------|----------|------|
| -   |       | RELEASED    | 10/28/10 |      |

APPROVED: \_\_\_\_\_  
 DATE: \_\_\_\_\_ TITLE: \_\_\_\_\_



A = .100 [2.54] x No. of Spaces + .086 [2.19]  
 B = .100 [2.54] x No. of Spaces

# ADAM TECH

909 Rahway Avenue, Union, NJ 07083  
 Phone: 908-687-5000 Fax: 908-687-5710

TITLE: .100 [2.54] SINGLE ROW PIN HEADER  
 RIGHT ANGLE, LOW PROFILE, GOLD PLATED

|      |                          |              |
|------|--------------------------|--------------|
| SIZE | PART NO.                 | REV.         |
| X    | PH1RB-XX-U-.157/118/.020 | -            |
| REF: | SCALE: NTS               | SHEET 1 OF 1 |

**SPECIFICATIONS:**  
 Material: Insulator: PBT, glass reinforced, rated UL 94V-0  
 Insulator color: Black  
 Contacts: Brass  
 Plating: Gold flash over Nickel underplate overall.  
 Electrical:  
 Current rating: 3 Amps max  
 Contact resistance: 20 mohms max  
 Insulation resistance: 5,000 Mohms min @ 500 VDC  
 Dielectric withstanding voltage: 500 VAC for 1 minute  
 Temperature Rating:  
 Operating temperature: -40°C to +105°C  
 Environmental:  
 Lead free, ROHS compliant  
 Recommended soldering temp: 235°C for 5 seconds

