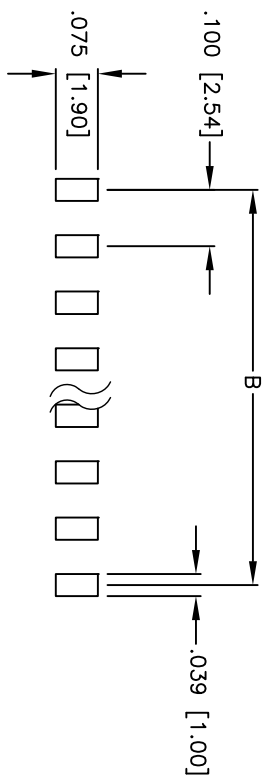
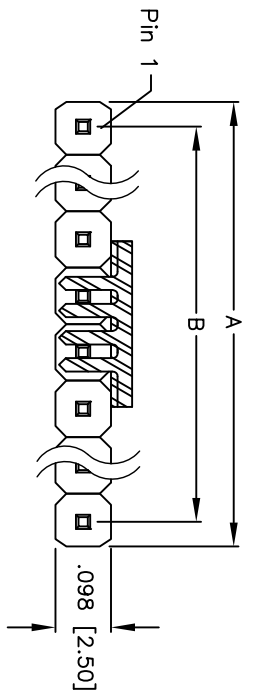
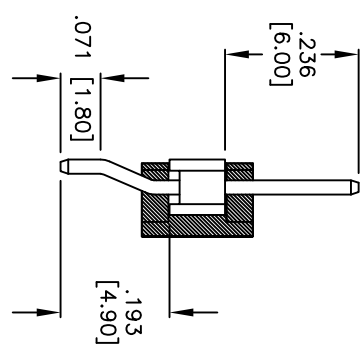
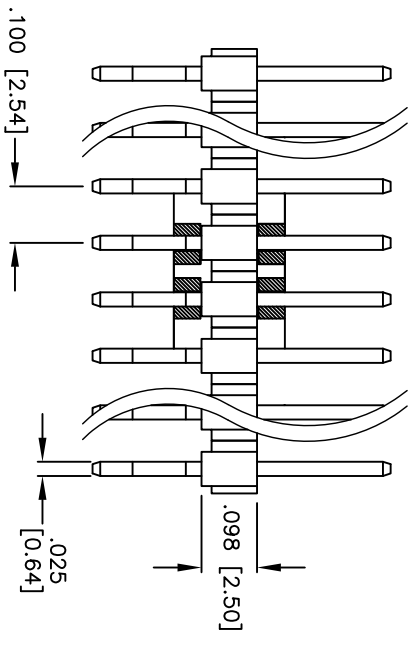


| Rev | AWO # | Description | Date | Appr |
|-----|-------|-------------|---------|------|
| - | | RELEASED | 7/22/10 | |

APPROVED: _____
 DATE: _____ TITLE: _____



Recommended PCB Layout



A = .100" [2.54] x No. of Spaces + .086 [2.19]
 B = .100" [2.54] x No. of Spaces

SPECIFICATIONS:

Material: Nylon 6T, rated UL 94V-0
 color black

Insulator: Brass

Contacts: 10u" Gold flash over Nickel underplate on contact area,
 Tin over Copper underplate on tails.

Electrical: Operating voltage: 250 VAC max
 Current rating: 3 Amps max

Temperature Rating: Operating temperature: -55°C to +105°C

Environmental: Lead free, RoHS compliant.
 Recommended soldering temp: 260°C for 5 sec.

ADAM TECH

909 Rahway Avenue, Union, NJ 07083
 Phone: 908-687-5000 Fax: 908-687-5710

PIN HEADER, SINGLE ROW, .100" PITCH
W/ CAP, 10u" SEL GOLD, TAPE REEL

| | |
|--|---------|
| UNLESS OTHERWISE SPECIFIED ALL DIMENSIONS ARE INCHES [MM] | |
| TOLERANCES: EXCEPT AS NOTED | |
| INCHES | HOLES |
| .X ± .10 | ± .10 |
| .XX ± .020 | ± .015 |
| .XXX ± .015 | ± .010 |
| APPROVALS | DATE |
| DRAWN AY | 7/22/10 |
| CHECKED AH | 7/22/10 |
| APPROVED | |

| | | |
|--------------|----------------------------|--------------|
| SIZE | PART NO. | REV. |
| X | PH1RB-XX-SGA-SMT-10-PP-T/R | - |
| REF: 500039T | SCALE: NTS | SHEET 1 OF 1 |



6 5 4 3 2 1