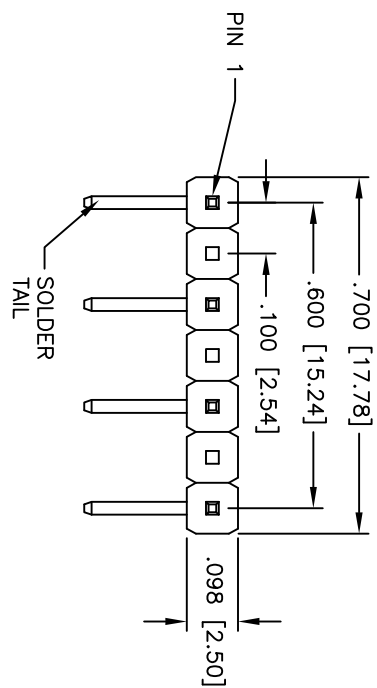
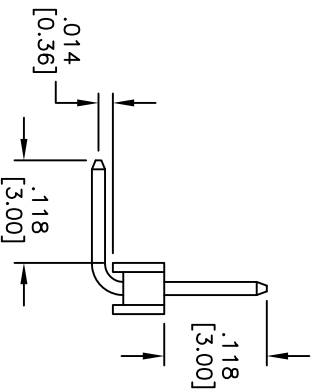
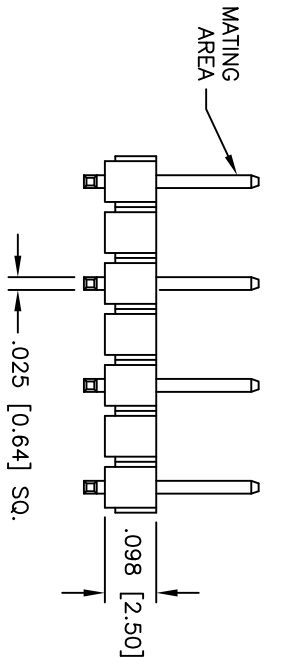
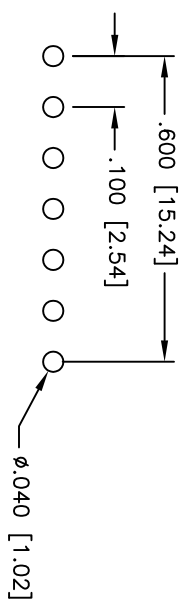


| Rev | AWO # | Description | Date | Appr |
|-----|-------|-------------|----------|------|
| - | | RELEASED | 11/17/10 | |

APPROVED: _____
 DATE: _____ TITLE: _____



RECOMMENDED
PCB LAYOUT



SPECIFICATIONS:

Material: Insulator: Hi-temp thermoplastic, rated UL 94V-0
 Insulator color: Black
 Contacts: Brass

Plating: Gold flash over Nickel underplate overall.

Electrical: Current rating: 3 Amps max

Contact resistance: 20 mohms max

Insulation resistance: 5,000 Mohms min @ 500 VDC

Dielectric withstanding voltage: 500 VAC for 1 minute

Temperature Rating: Operating temperature: -40°C to +105°C

Environmental: Lead free, ROHS compliant

Recommended soldering temp: 260°C for 5 seconds



ADAM TECH

909 Rahway Avenue, Union, NJ 07083
 Phone: 908-687-5000 Fax: 908-687-5710

TITLE: .100 [2.54] SINGLE ROW PIN HEADER, 7P
 RIGHT ANGLE, LOW PROFILE, GOLD PLATED

| | |
|--|-------------|
| UNLESS OTHERWISE SPECIFIED ALL DIMENSIONS ARE INCHES [MM] | |
| TOLERANCES: EXCEPT AS NOTED | HOLDS |
| .X ± .10 | ØX ± .10 |
| .XX ± .020 | ØXXX ± .015 |
| .XXX ± .015 | ØXXX ± .010 |
| APPROVALS | DATE |
| DRAWN | DY |
| CHECKED | 11/17/10 |
| APPROVED | |

| | | |
|------|------------------------------------|--------------|
| SIZE | PART NO. | REV. |
| X | PH1RB-07-U-118/118/014HT-X02X04X06 | - |
| REF: | SCALE: NTS | SHEET 1 OF 1 |