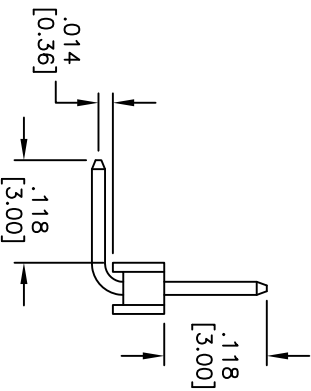
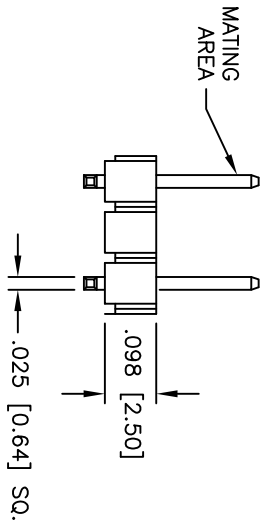
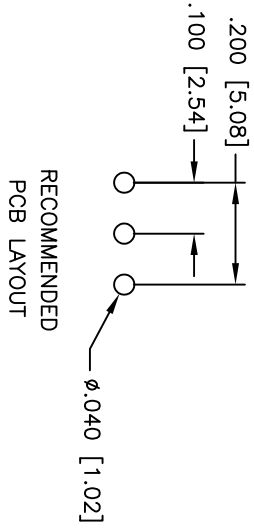
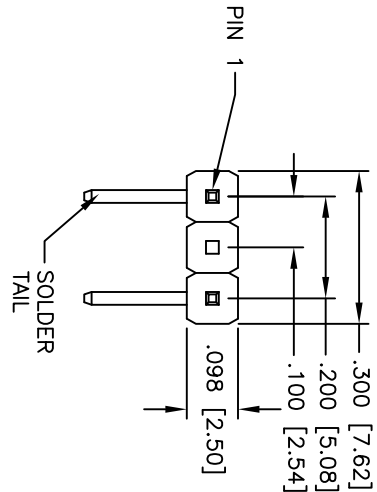


Rev	AWO #	Description	Date	Appr
-		RELEASED	11/17/10	

APPROVED: \_\_\_\_\_  
 DATE: \_\_\_\_\_ TITLE: \_\_\_\_\_



**SPECIFICATIONS:**

Material: Insulator: Hi-temp thermoplastic, rated UL 94V-0  
 Insulator color: Black  
 Contacts: Brass

Plating: Gold flash over Nickel underplate overall.

Electrical: Current rating: 3 Amps max

Contact resistance: 20 mohms max

Insulation resistance: 5,000 Mohms min @ 500 VDC

Dielectric withstanding voltage: 500 VAC for 1 minute

Temperature Rating: Operating temperature: -40°C to +105°C

Environmental: Lead free, ROHS compliant

Recommended soldering temp: 260°C for 5 seconds



**ADAM TECH**

909 Rahway Avenue, Union, NJ 07083  
 Phone: 908-687-5000 Fax: 908-687-5710

TITLE: .100 [2.54] SINGLE ROW PIN HEADER, 3P  
 RIGHT ANGLE, LOW PROFILE, GOLD PLATED

UNLESS OTHERWISE SPECIFIED ALL DIMENSIONS ARE INCHES [MM]	
TOLERANCES: EXCEPT AS NOTED	HOLDS
.X ± .10	ØXX ± .10
.XX ± .020	ØXXX ± .015
.XXX ± .015	ØXXXX ± .010
APPROVALS	DATE
DRAWN	DY
CHECKED	11/17/10
APPROVED	

SIZE	PART NO.	REV.
X	PH1RB-03-U-.118/.118/014-HT-X02	-
REF:	SCALE: NTS	SHEET 1 OF 1