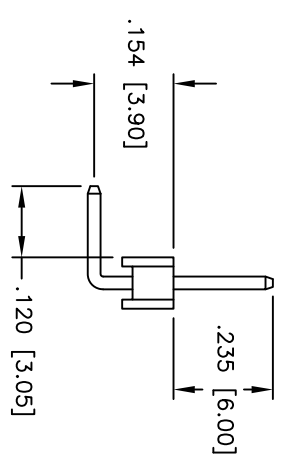
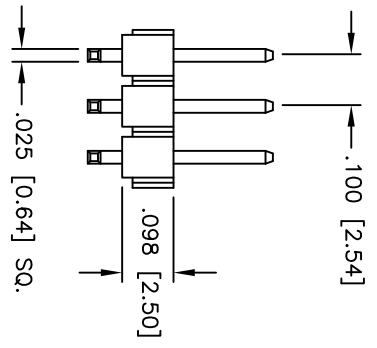
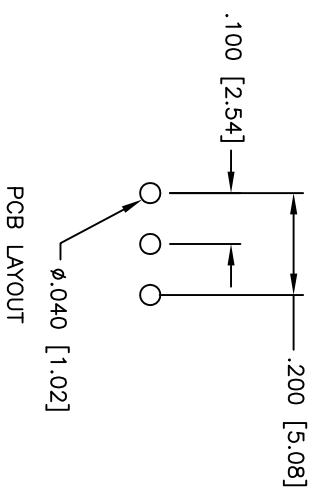
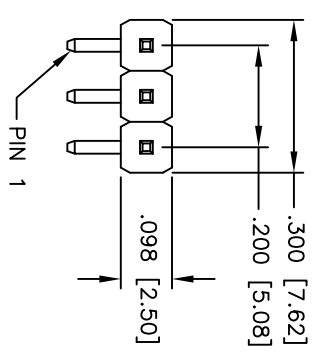


APPROVED: \_\_\_\_\_  
 DATE: \_\_\_\_\_ TITLE: \_\_\_\_\_

Rev	AWO #	Description	Date	Appr
-		RELEASED	6/04/10	
A		REVISED PLATING SPEC.	6/18/10	



**SPECIFICATIONS:**

Material: Nylon 6T, rated UL 94V-0  
 Insulator color: Black  
 Contacts: Brass  
 Plating (Minimum) :  
 80u" Tin over 20u" Nickel underplate overall

Electrical:  
 Operating voltage: 250 VAC max  
 Current rating: 3 Amps max  
 Contact resistance: 20 mohms max  
 Insulation resistance: 5,000 Mohms min @ 500 VDC  
 Dielectric withstanding voltage: 1,000 VAC for 1 minute  
 Temperature Rating:  
 Operating temperature: -55°C to +105°C



Environmental:  
 Lead free, RoHS compliant  
 Recommended soldering temp: 260°C for 5 seconds

UNLESS OTHERWISE SPECIFIED  
 ALL DIMENSIONS ARE INCHES [MM]  
 TOLERANCES: EXCEPT AS NOTED

INCHES	HOLES
.X ± .10	ØX ± .10
.XX ± .020	ØXX ± .015
.XXX ± .015	ØXXX ± .010

APPROVALS: \_\_\_\_\_ DATE: \_\_\_\_\_

DRAWN: DY 6/04/10  
 CHECKED: \_\_\_\_\_  
 APPROVED: \_\_\_\_\_

**ADAM TECH**

909 Rahway Avenue, Union, NJ 07083  
 Phone: 908-687-5000 Fax: 908-687-5710

TITLE: .100 [2.54] SINGLE ROW PIN HEADER, 3P  
 RIGHT ANGLE, LOW PROFILE, TIN PLATED

SIZE: X	PART NO.: PH1RB-03-TAHT-NIU	REV: A
REF: S00059T	SCALE: NTS	SHEET 1 OF 1