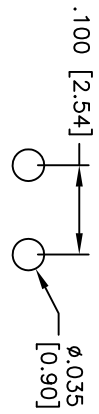
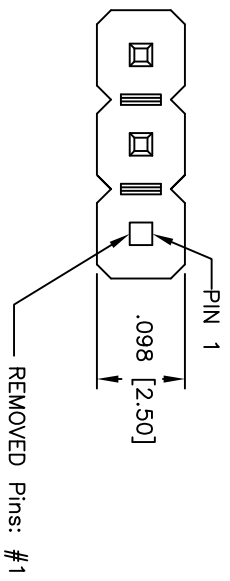
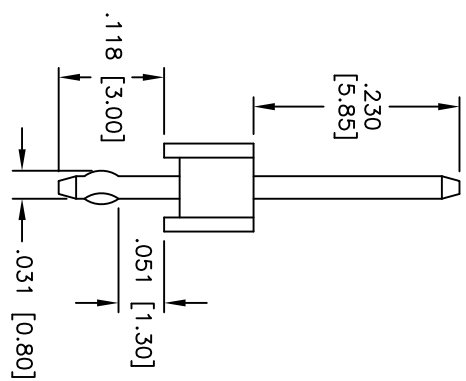
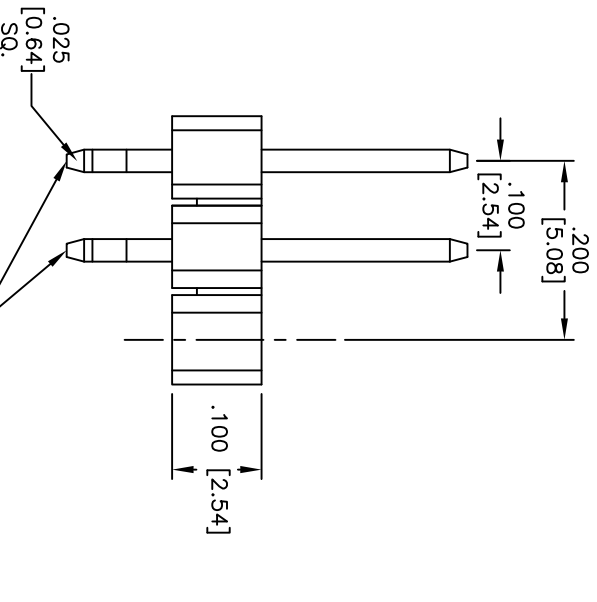


Rev	AWO #	Description	Date	Appr
-		RELEASED	12/09/10	

APPROVED: _____
 DATE: _____ TITLE: _____



Recommended PCB Layout



SPECIFICATIONS:
 Material: PBT, glass reinforced, rated UL 94V-0
 Insulator color: Black
 Contacts: Brass
 Plating:
 Gold flash over Nickel underplate on mating area,
 Tin over Copper underplate on solder tails.
 Electrical:
 Current rating: 3 Amps max
 Contact resistance: 20 mohms max
 Insulation resistance: 1,000 Mohms min
 Dielectric withstanding voltage: 600 VAC for 1 minute
 Temperature Rating:
 Operating temperature: -40°C to +105°C
 Environmental:
 Lead free, RoHS compliant
 Recommended soldering temp: 235°C for 5 seconds

REMOVED Pins: #1
 KINK Pins: #2, #3

UNLESS OTHERWISE SPECIFIED ALL DIMENSIONS ARE INCHES [MM]	
TOLERANCES: EXCEPT AS NOTED	
INCHES	HOLES
.X ± .10	ØX ± .10
.XX ± .020	ØXXX ± .015
.XXX ± .015	ØXXX ± .010
APPROVALS	DATE
DRAWN	DY
CHECKED	
APPROVED	

ADAM TECH
 909 Rahway Avenue, Union, NJ 07083
 Phone: 908-687-5000 Fax: 908-687-5710

TITLE	.100 [2.54] SINGLE ROW PIN HEADER	
	GOLD PLATED, REMOVED PINS #1	
SIZE	PART NO.	REV.
X	PH1-03-UA-K-X01	-
REF: S00032T	SCALE: NTS	SHEET 1 OF 1



6 5 4 3 2 1