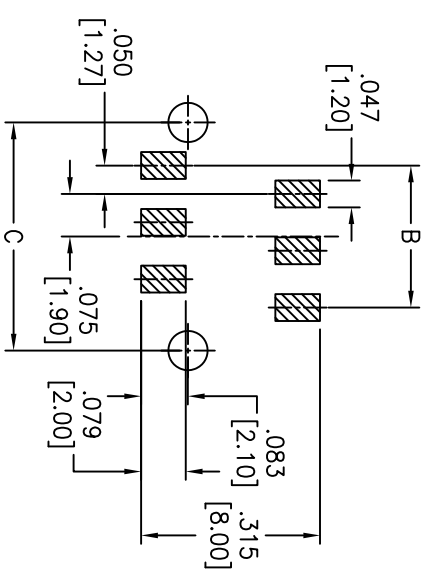
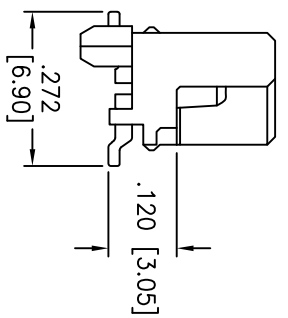
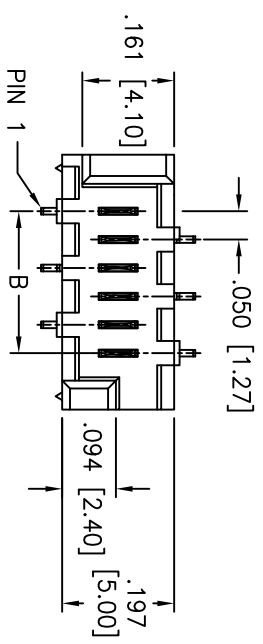


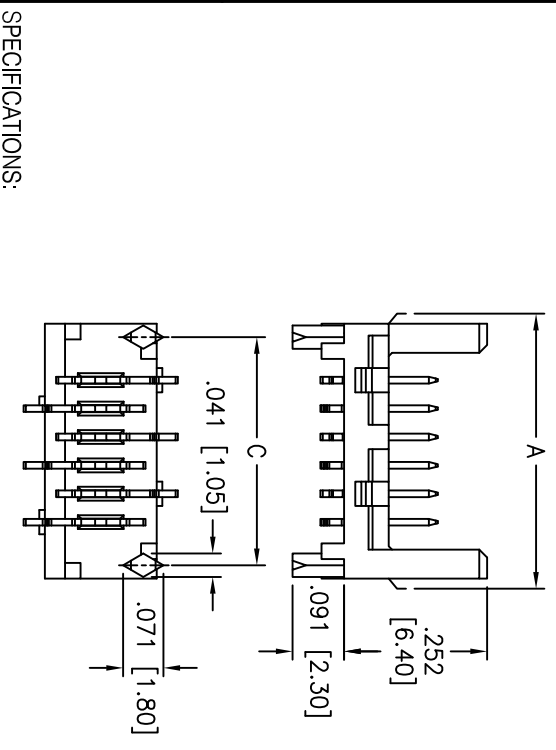
Rev	AWO #	Description	Date	Appr
-		RELEASED	6/21/10	

APPROVED: _____
 DATE: _____ TITLE: _____



RECOMMENDED PCB LAYOUT

Positions: 04,06,08,10,12,14,16,18,20,22,24,26
 A=.050 [1.27] x No. of (Positions-1) + .199 [5.05]
 B=.050 [1.27] x No. of (Positions-1)
 C=.050 [1.27] x No. of (Positions-1) + .152 [3.85]



A B C D

SPECIFICATIONS:
 Material: Insulator: Hi-temp thermoplastic, rated UL 94V-0
 Insulator color: Black
 Contacts: Copper Alloy
 Plating: Tin over Copper underplate overall
 Electrical:
 Operating voltage: 32V AC/DC
 Current rating: 1.2 AC/DC max
 Contact resistance: 15 mohms max
 Insulation resistance: 1000 Mohms min
 Dielectric withstanding voltage: 750 VAC for 1 minute
 Temperature Rating: Operating temperature: -40°C to +105°C

A



Operating temperature: -40°C to +105°C
 Environmental:
 Lead free, RoHS compliant.
 Recommended soldering temp: 260°C for 5 sec.

6

5

4

3

2

1

UNLESS OTHERWISE SPECIFIED ALL DIMENSIONS ARE INCHES [MM] TOLERANCES: EXCEPT AS NOTED		TITLE	
INCHES	± .10	HOLES	± .10
X	± .020	ØXX	± .015
.XX	± .015	ØXXX	± .010
.XXX	± .015	ØXXXX	± .010
APPROVALS	DATE	TITLE	
DRAWN	DY	.050 [1.27] PCB CONNECTOR, STRAIGHT SMT TYPE	
CHECKED		SIZE	PART NO.
APPROVED		X	PFP-A-V-XX-T-SMT
REF: S00069T		SCALE:	NTS
		SHEET	1 OF 1

A

ADAM TECH
 909 Rahway Avenue, Union, NJ 07083
 Phone: 908-687-5000 Fax: 908-687-5710