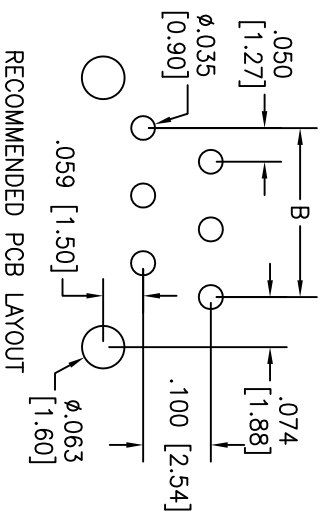
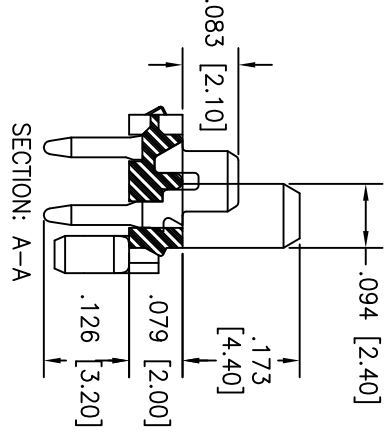
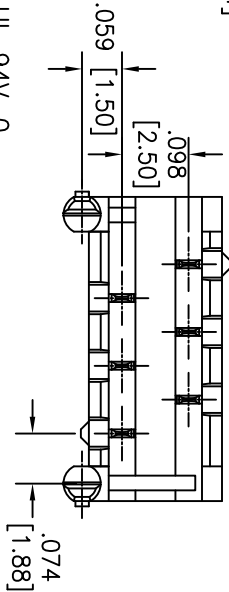
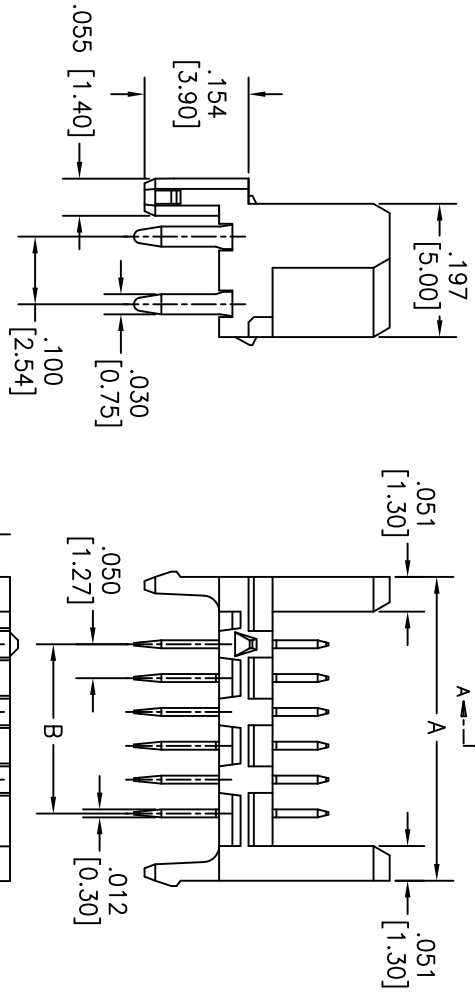
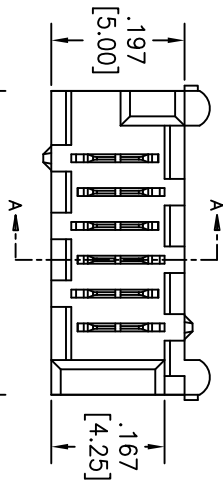


Rev	AWO #	Description	Date	Appr
-		RELEASED	6/11/10	

APPROVED: _____
 DATE: _____ TITLE: _____



Positions: 04,06,08,10,12,14,16,18,20,22,24,26
 A=.050 [1.27] x No. of (Positions-1) + .199 [5.05]
 B=.050 [1.27] x No. of (Positions-1)

SPECIFICATIONS:
 Material: Insulator: Hi-temp thermoplastic, rated UL 94V-0
 Insulator color: Black
 Contacts: Phosphor Bronze
 Plating: Tin over Copper underplate overall
 Electrical:
 Operating voltage: 32V AC/DC
 Current rating: 1.2 AC/DC max
 Contact resistance: 20 mohms max
 Insulation resistance: 1000 Mohms min
 Dielectric withstanding voltage: 500 VAC for 1 minute
 Temperature Rating:
 Operating temperature: -40°C to +105°C

Environmental:
 Lead free, RoHS compliant.
 Recommended soldering temp: 260°C for 5 sec.



ADAM TECH

909 Railway Avenue, Union, NJ 07083
 Phone: 908-687-5000 Fax: 908-687-5710

TITLE: .050 [1.27] IDC CONNECTOR, STRAIGHT TYPE

UNLESS OTHERWISE SPECIFIED ALL DIMENSIONS ARE INCHES [MM]	
TOLERANCES: EXCEPT AS NOTED	
INCHES	HOLES
.X ± .10	ØX ± .015
.XX ± .020	ØXXX ± .015
.XXX ± .015	ØXXX ± .010
APPROVALS	DATE
DRAWN DY	6/11/10
CHECKED	
APPROVED	

SIZE	PART NO.	REV.
X	PPP-A-V-XX-T-HT	
REF: S00056T	SCALE: NTS	SHEET 1 OF 1