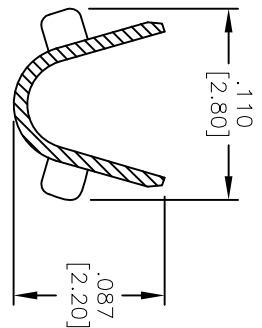
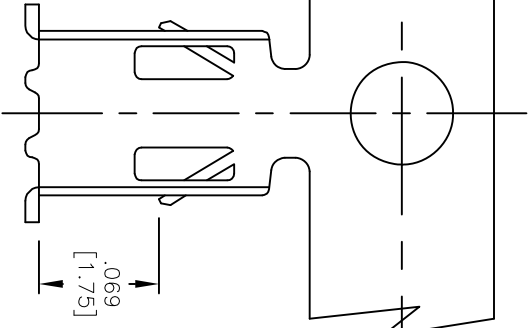
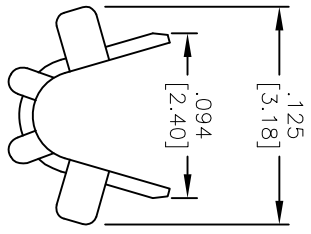
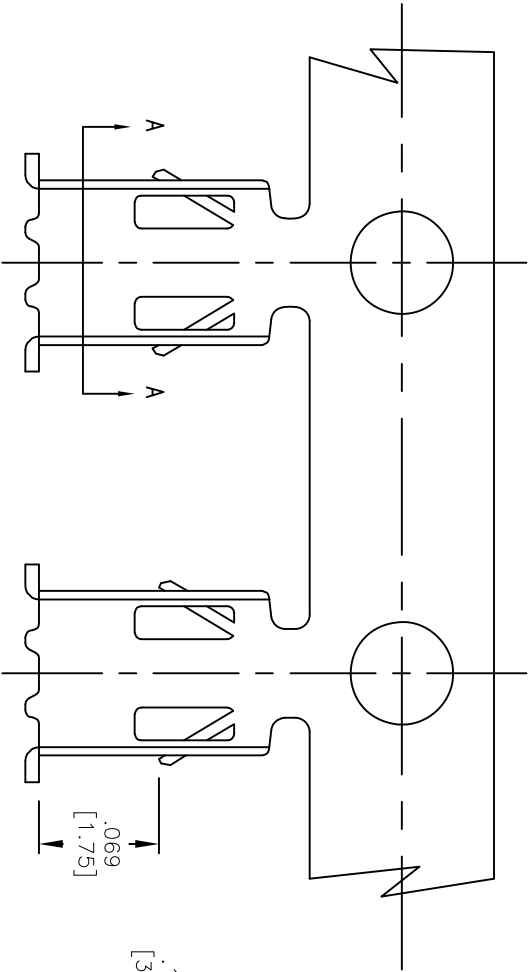
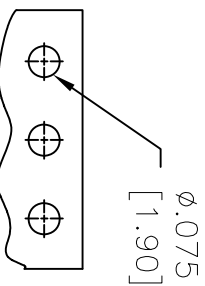


Rev	AWO #	Description	Date	Appr
-		RELEASED	1/11/11	

APPROVED: _____
 DATE: _____ TITLE: _____



REF [0.20] .008



RECOMMENDED PCB LAYOUT

A SPECIFICATIONS:

Material: Brass bronze
 Plating: Tin Plated
 Insulation O.D.: 1.7 ~ 2.1MM
 Wire Range: AWG#18~#22
 Environmental:
 Lead free, RoHS compliant.



UNLESS OTHERWISE SPECIFIED
 ALL DIMENSIONS ARE INCHES [MM]
 TOLERANCES: EXCEPT AS NOTED

INCHES	HOLES
.X ± .10	ØX ± .10
.XX ± .020	ØXX ± .015
.XXX ± .015	ØXXX ± .010

APPROVALS		DATE
DRAWN	AY	1/11/11
CHECKED	JL	1/11/11
APPROVED		

ADAM TECH
 909 Railway Avenue, Union, NJ 07083
 Phone: 908-687-5000 Fax: 908-687-5710

TITLE
PCB CRIMP TERMINAL, TIN PLATED

SIZE	PART NO.	REV.
X	PCT-014-T	-

REF: S00163T SCALE: NTS SHEET 1 OF 1

6 5 4 3 2 1