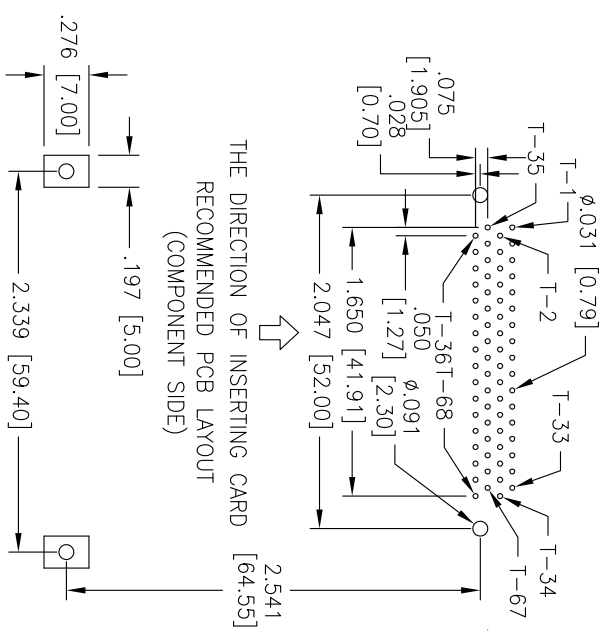
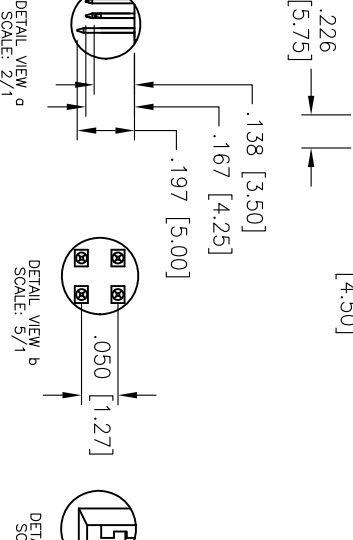
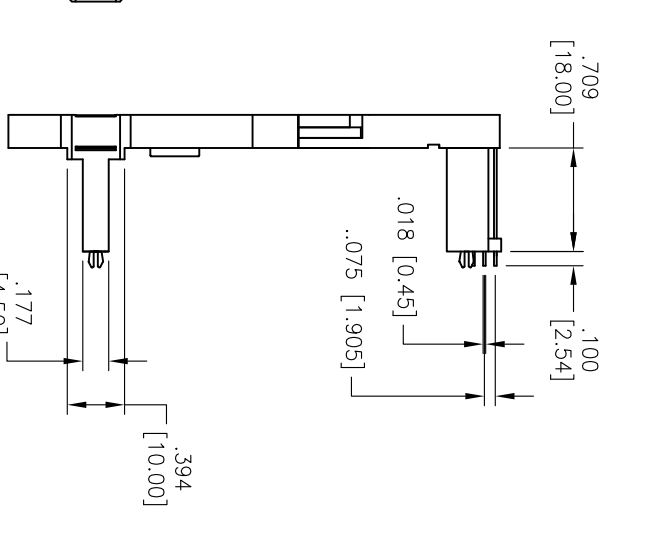
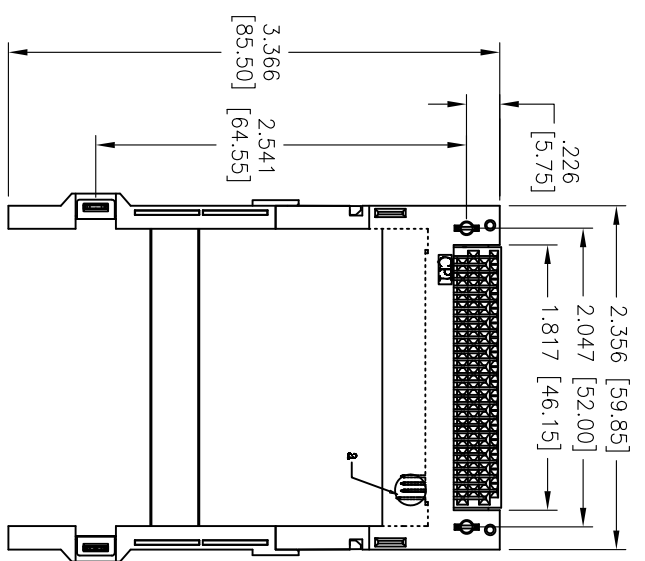


Rev	AWO #	Description	Date	Appr
-		RELEASED	8/05/10	

APPROVED: _____
 DATE: _____ TITLE: _____



THE DIRECTION OF INSERTING CARD
 RECOMMENDED PCB LAYOUT
 (COMPONENT SIDE)

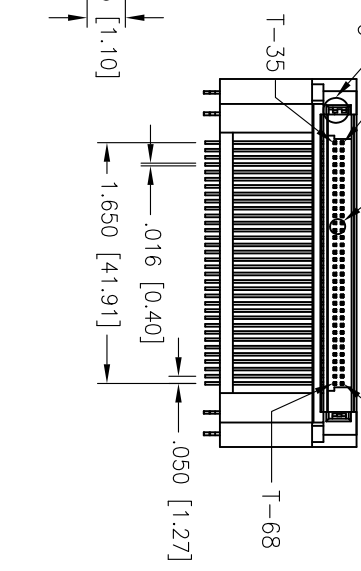
PIN TYPE	Interface Dim.	PIN NO.
Detect	.138 [3.50]	36, 67
General	.167 [4.25]	all other pins
Power	.197 [5.00]	1, 17, 34, 35, 51, 68

SPECIFICATIONS:

Material:
 Insulator: PBT, glass reinforced, rated UL 94V-0
 Insulator color: Black
Contact: Copper Alloy
Plating:
 Gold over Nickel underplate on contact area,
 Tin over Copper underplate on solder tails.

Electrical:

Current rating: 0.5 Amps max
 Contact resistance: 40 mohms max
 Insulation resistance: 1000 Mohms min@ DC 500V
 Dielectric withstanding voltage: 500 VAC for 1 minute
Temperature Rating:
 Operating temperature: -20°C to +60°C
 Environmental:
 Lead free, RoHS compliant.
 Recommended soldering temp: 235°C for 5 sec.



UNLESS OTHERWISE SPECIFIED ALL DIMENSIONS ARE INCHES [MM]	
TOLERANCES: EXCEPT AS NOTED	
INCHES	HOLES
X ± .10	ØX ± .10
.XX ± .020	ØXXX ± .015
.XXX ± .015	ØXXX ± .010
APPROVALS	DATE
DRAWN AY	8/05/10
CHECKED AH	8/05/10
APPROVED	

ADAM TECH

909 Rahway Avenue, Union, NJ 07083
 Phone: 908-687-5000 Fax: 908-687-5710

TITLE: PCMCIA 68P SINGLE ROW DIP TYPE
 W/ 85.5MM GUIDE, 8.0MM HIGHT, 5.0V

SIZE	PART NO.	REV.
X	PCMCIA-68-GUIDE-5.0	-
REF:	SCALE: NTS	SHEET 1 OF 1

