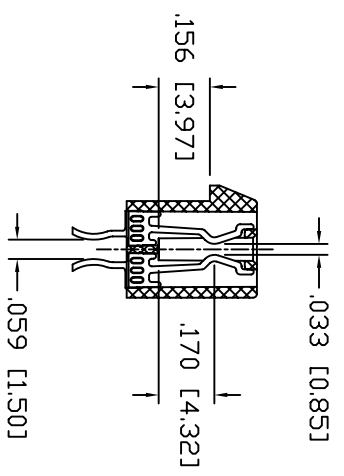
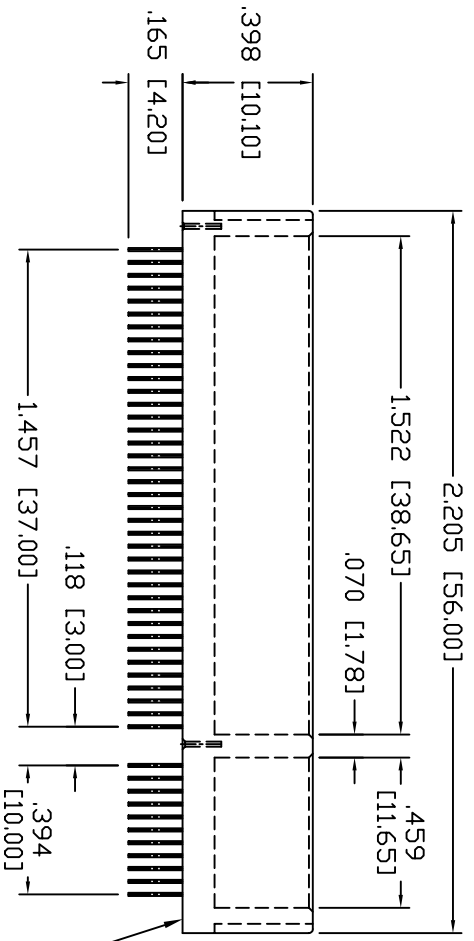
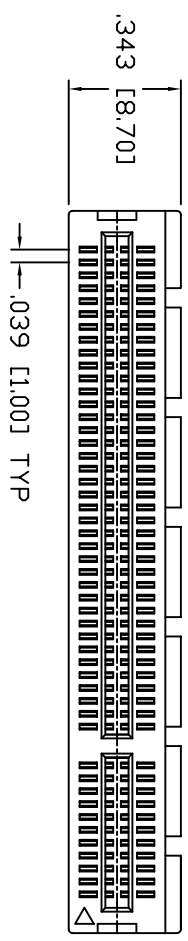


Rev	AWO #	Description	Date	Appr
-		RELEASED	02/21/05	

APPROVED: _____
 DATE: _____ TITLE: _____



SPECIFICATIONS:

- Material:**
 Insulator: PBT, 30% glass reinforced, rated UL 94V-0
 Insulator color: Black
 Contacts: Brass or Phosphor Bronze
 Plating:
 Gold Flash over Nickel underplate on contact area,
 Tin over Copper underplate on tails
Electrical:
 Operating voltage: 125 VAC max
 Current rating: 1.1 Amps max
 Contact Resistance: 30 mohms max
 Insulation resistance: 1000 Mohms min @ 500V AC
 Dielectric withstanding voltage: 500 VAC for 1 minute
Mechanical:
 Insertion force: 1.15N max per contact pair
 Withdrawal force: 0.15N min per contact pair
 Contact retention force: 4.9N min per contact
 Temperature Rating:
 Operating temperature: -55°C to +105°C

UNLESS OTHERWISE SPECIFIED ALL DIMENSIONS ARE INCHES [MM]	
TOLERANCES: EXCEPT AS NOTED	
INCHES	HOLDS
.X ± .10	ØXX ± .10
.XX ± .020	ØXXX ± .015
.XXX ± .015	ØXXX ± .010
APPROVALS	DATE
SS	02/21/05

ADAM TECH
 909 Rahway Avenue, Union, NJ 07083
 Phone: 908-687-5000 Fax: 908-687-5710

TITLE: PCI EXPRESS CARD CONNECTOR, 98 PIN,
 STRADDLE MOUNT, GOLD FLASH

SIZE: X PART NO.: PCI-E-98-U-SM
 SCALE: NTS SHEET 1 OF 2