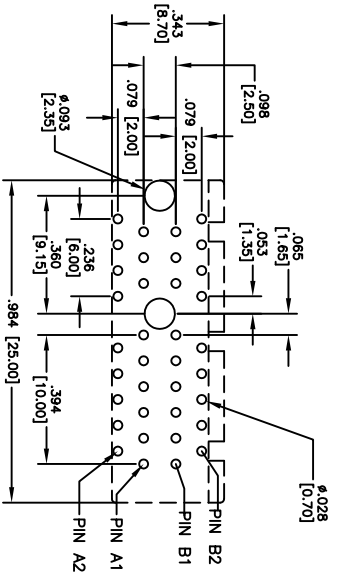
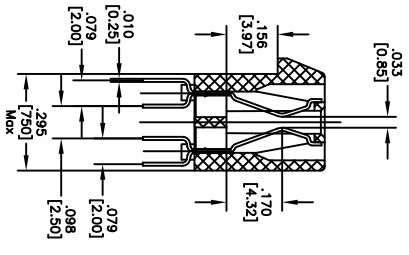
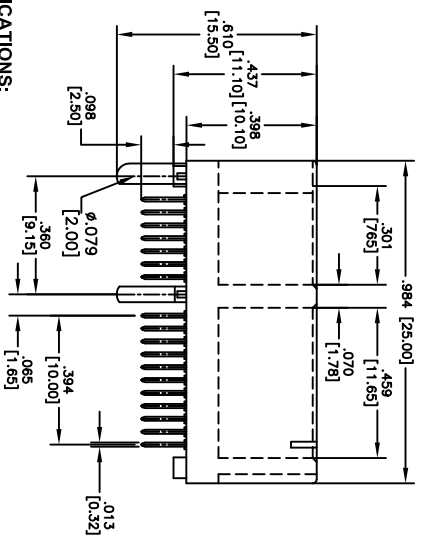
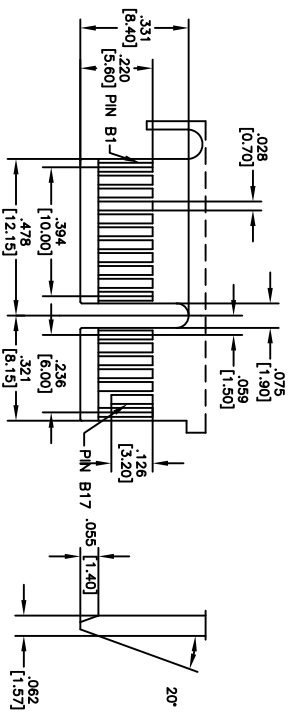
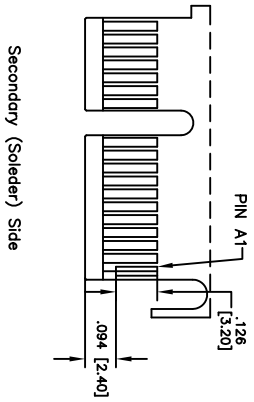
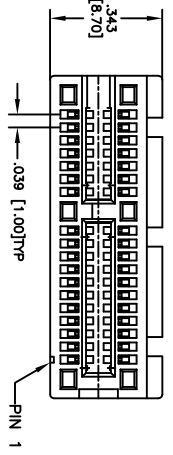


Rev	AWO #	Description	Date	Appr
-	11390	RELEASED	5/23/11	

APPROVED: _____
 DATE: _____ TITLE: _____



RECOMMENDED PCB LAYOUT

SPECIFICATIONS:

- Material:** Insulator: PBT, 30% glass reinforced, rated UL 94V-0
- Insulator color:** Black
- Contacts:** Brass or Phosphor Bronze
- Plating:** Gold Flash over Nickel underplate on contact area, Tin over Copper underplate on tails
- Electrical:** Operating voltage: 125 VAC max
Current rating: 1.1 Amps max
Contact Resistance: 30 mohms max
Insulation resistance: 1000 Mohms min @ 500V AC
Dielectric withstanding voltage: 500 VAC for 1 minute
- Mechanical:** Insertion force: 1.15N max per contact pair
Withdrawal force: 0.15N min per contact pair
Contact retention force: 4.9N min per contact
Temperature Rating: Operating temperature: -55°C to +105°C
- Environmental:** Lead free, RoHS compliant.
Recommended soldering temp: 235°C for 5 sec.

UNLESS OTHERWISE SPECIFIED ALL DIMENSIONS ARE INCHES [MM]	
TOLERANCES EXCEPT AS NOTED	
INCHES	
.X	± .10
.XX	± .020
.XXX	± .015
.XXX	± .015
Holes	
ØX	± .10
ØXXX	± .015
ØXXX	± .010
APPROVALS	
DRAWN	DY
CHECKED	
APPROVED	
DATE	5/23/11

ADAM TECH
 909 Rahway Avenue, Union, NJ 07083
 Phone: 908-687-5000 Fax: 908-687-5710

TITLE		PART NO.		REV.
PCI EXPRESS CARD CONNECTOR, 36 PIN, VERTICAL, SEL GOLD, CHIP TYPE		PCI-E-36-OE		-
SIZE	SCALE	SHEET	OF 2	
X	NTS	1	2	
REF:	S0008T	SHEET 1 OF 2		