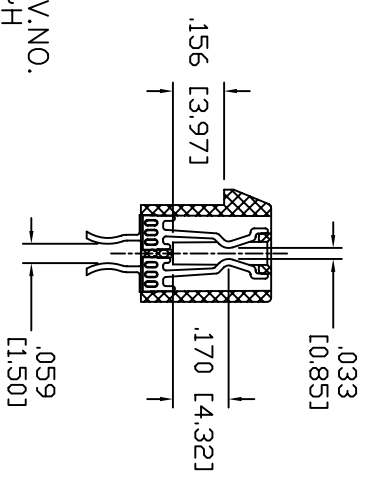
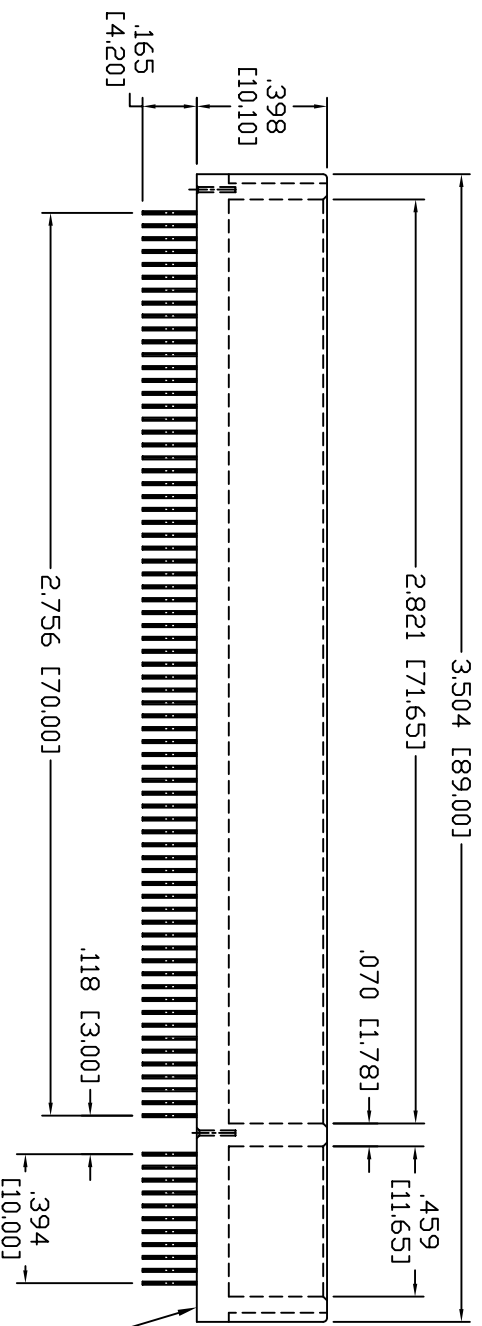
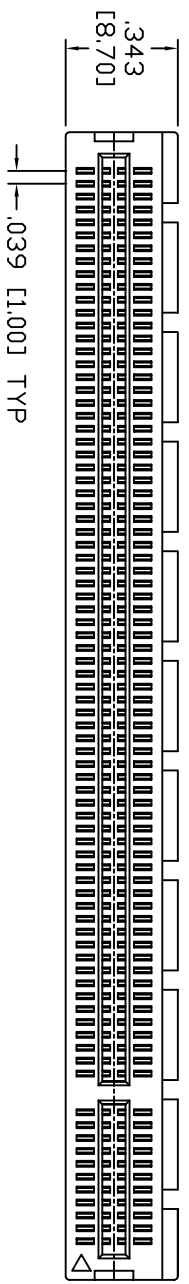


Rev	AWO #	Description	Date	Appr
-		RELEASED	02/21/05	

APPROVED: _____
 DATE: _____ TITLE: _____



SPECIFICATIONS:

- Material: Insulator: Nylon 66, 30% glass reinforced, rated UL 94V-0
- Insulator color: White
- Contacts: Brass or Phosphor Bronze
- Plating: Gold Flash over Nickel underplate on contact area, Tin over Copper underplate on tails

- Electrical: Operating voltage: 125 VAC max
- Current rating: 1.1 Amps max
- Contact Resistance: 30 mohms max
- Insulation resistance: 1000 Mohms min @ 500V AC
- Dielectric withstanding voltage: 500 VAC for 1 minute

- Mechanical: Insertion force: 1.15N max per contact pair
- Withdrawal force: 0.15N min per contact pair
- Contact retention force: 4.9N min per contact
- Temperature Rating: Operating temperature: -55°C to +105°C

UNLESS OTHERWISE SPECIFIED ALL DIMENSIONS ARE INCHES [MM]	
TOLERANCES: EXCEPT AS NOTED	
INCHES	HOLES
.X ± .10	ØX ± .10
.XX ± .020	ØXXX ± .015
.XXX ± .015	ØXXX ± .010
APPROVALS	DATE
DRAWN	SS
CHECKED	
APPROVED	

ADAM TECH
 909 Rahway Avenue, Union, NJ 07083
 Phone: 908-687-5000 Fax: 908-687-5710

TITLE: PCI EXPRESS CARD CONNECTOR, 164 PIN, STRADDLE MOUNT, GOLD FLASH

SIZE	PART NO.	SCALE:	NTS	SHEET	1 OF 2
X	PCI-E-164-U-SM-HT-WT				
REV.					