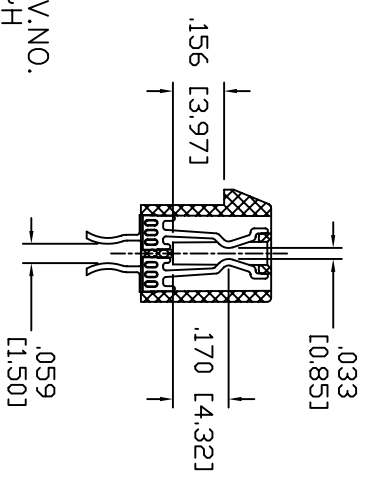
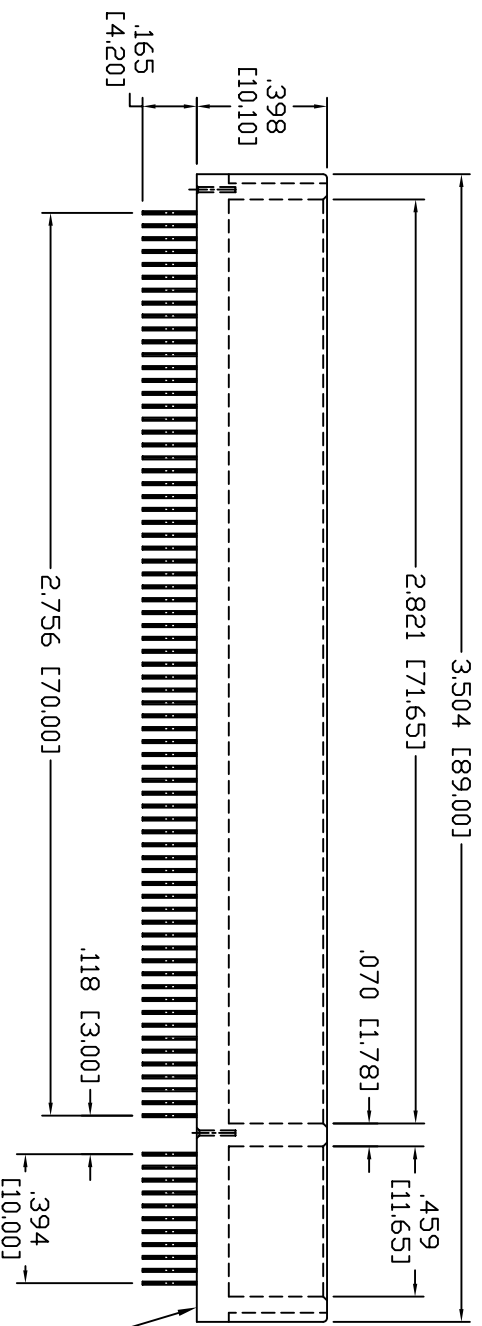
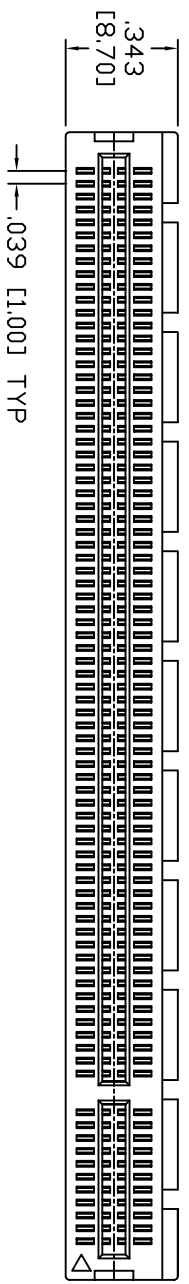


Rev	AWO #	Description	Date	Appr
-		RELEASED	02/21/05	

APPROVED: \_\_\_\_\_  
 DATE: \_\_\_\_\_ TITLE: \_\_\_\_\_



CAV. NO. A~H

**SPECIFICATIONS:**

- Material: Insulator: Nylon 66, 30% glass reinforced, rated UL 94V-0
- Insulator color: Black
- Contacts: Brass or Phosphor Bronze
- Plating: Gold Flash over Nickel underplate on contact area, Tin over Copper underplate on tails
- Electrical: Operating voltage: 125 VAC max  
Current rating: 1.1 Amps max  
Contact Resistance: 30 mohms max  
Insulation resistance: 1000 Mohms min @ 500V AC  
Dielectric withstanding voltage: 500 VAC for 1 minute
- Mechanical: Insertion force: 1.15N max per contact pair  
Withdrawal force: 0.15N min per contact pair  
Contact retention force: 4.9N min per contact  
Temperature Rating: Operating temperature: -55°C to +105°C

**ADAM TECH**

909 Rahway Avenue, Union, NJ 07083  
 Phone: 908-687-5000 Fax: 908-687-5710

TITLE: PCI EXPRESS CARD CONNECTOR, 164 PIN, STRADDLE MOUNT, GOLD FLASH

UNLESS OTHERWISE SPECIFIED ALL DIMENSIONS ARE INCHES [MM]	
TOLERANCES: EXCEPT AS NOTED	
INCHES	HOLES
.X ± .10	ØX ± .10
.XX ± .020	ØXX ± .015
.XXX ± .015	ØXXX ± .010
APPROVALS	DATE
DRAWN SS	02/21/05
CHECKED	
APPROVED	

SIZE X	PART NO. PCI-E-164-U-SM-HT	REV. -
REF:	SCALE: NTS	SHEET 1 OF 2