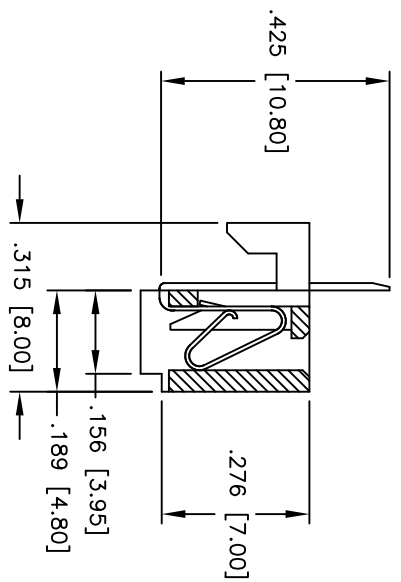
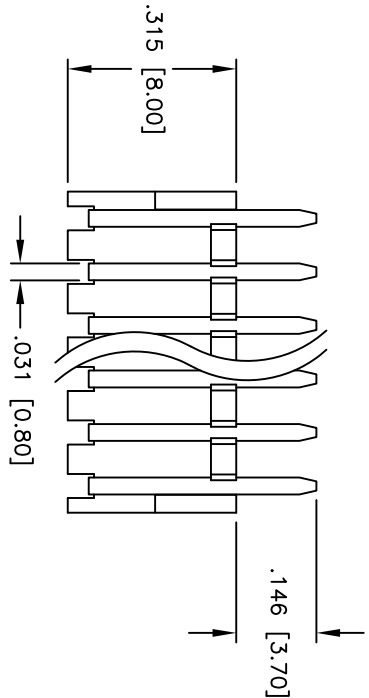
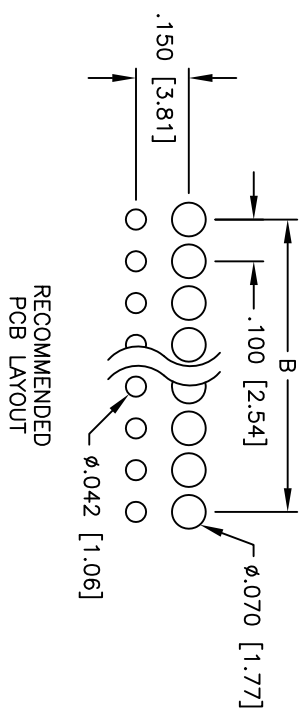
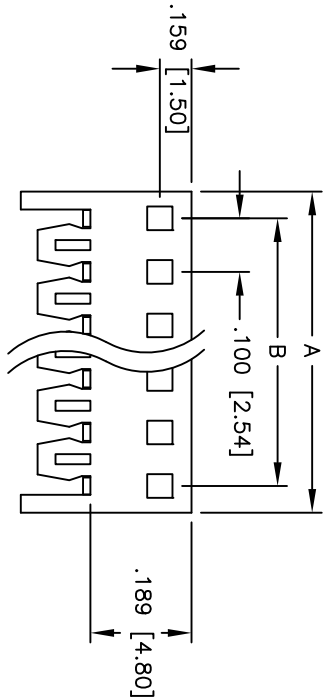


Rev	AWO #	Description	Date	Appr
-		RELEASED	10/27/09	

APPROVED: _____
 DATE: _____ TITLE: _____



SPECIFICATIONS:

Material: Insulator: Nylon 66, rated UL 94V-0
 Insulator color: Natural
 Contacts: Phosphor Bronze
 Plating: Gold flash over Nickel underplate overall
 Electrical: Operating voltage: 250 VAC max.
 Current rating: 3 Amps max.
 Contact resistance: 10 mohms max. initial
 Insulation resistance: 1,000 Mohms min.
 Dielectric withstanding voltage: 1,500 VAC for 1 minute

Mechanical:

Recommended PCB thickness: 0.063" (1.60mm)
 Temperature Rating: Operating temperature: -40°C to +105°C
 Environmental: Lead free, RoHS compliant
 Recommended soldering temp: 235°C for 5 seconds

Positions: 02 thru 20
 A = .100 [2.54] x No. of Positions
 B = .100 [2.54] x No. of Spaces

UNLESS OTHERWISE SPECIFIED
 ALL DIMENSIONS ARE IN INCHES [MM]
 TOLERANCES: EXCEPT AS NOTED

INCHES	HOLDS
.X ± .10	ØX ± .10
.XX ± .020	ØXX ± .015
.XXX ± .015	ØXXX ± .010

APPROVALS: _____ DATE: _____

DRAWN	DY	10/27/09
CHECKED		
APPROVED		

ADAM TECH
 909 Rahway Avenue, Union, NJ 07083
 Phone: 908-687-5000 Fax: 908-687-5710

TITLE	.100 [2.54] PCB CONNECTOR	
BOARD HOOKS, BOTTOM ENTRY		
SIZE	PART NO.	REV.
X	PCE-C-XX-G	-
REF:	SCALE: NTS	SHEET 1 OF 1