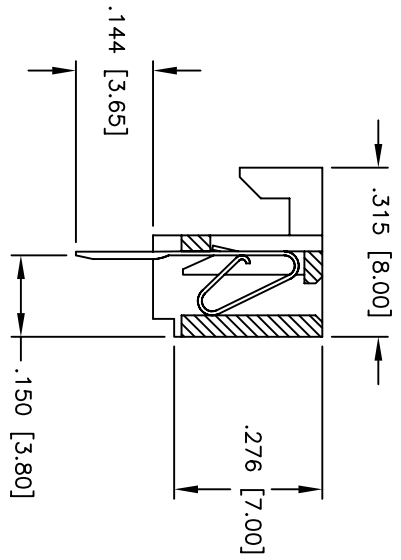
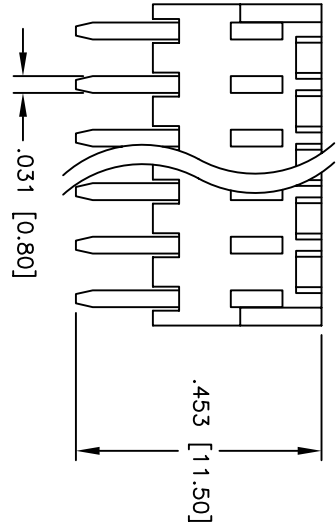
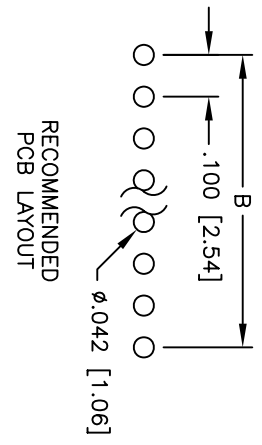
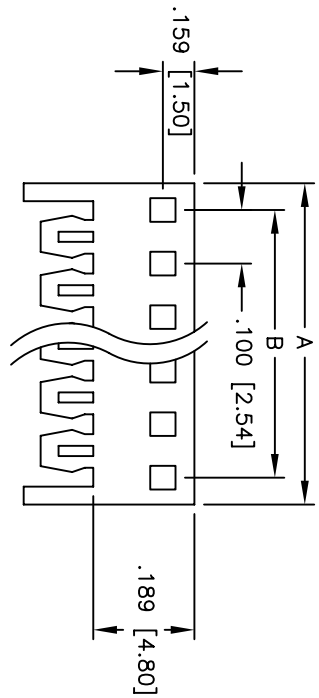


Rev	AWO #	Description	Date	Appr
-		RELEASED	6/2/05	

APPROVED: \_\_\_\_\_  
 DATE: \_\_\_\_\_ TITLE: \_\_\_\_\_



**SPECIFICATIONS:**

- Material: Nylon 66, rated UL 94V-0
- Insulator color: Natural
- Contacts: Phosphor Bronze
- Plating: Tin over Copper underplate overall
- Electrical:
  - Operating voltage: 250 VAC max.
  - Current rating: 3 Amps max.
  - Contact resistance: 10 mohms max. initial
  - Insulation resistance: 1,000 Mohms min.
  - Dielectric withstanding voltage: 1,500 VAC for 1 minute
- Mechanical:
  - Recommended PCB thickness: 0.063" (1.60mm)
  - Temperature Rating: Operating temperature: -40°C to +105°C
  - Environmental: Lead free, RoHS compliant
  - Recommended soldering temp: 230°C for 5 seconds

Positions: 02 thru 20  
 A = .100 [2.54] x No. of Positions  
 B = .100 [2.54] x No. of Spaces

UNLESS OTHERWISE SPECIFIED ALL DIMENSIONS ARE IN INCHES [MM]	
TOLERANCES: EXCEPT AS NOTED	
INCHES	HOLDS
.X ± .10	ØX ± .10
.XX ± .020	ØXXX ± .015
.XXX ± .015	ØXXXX ± .010
APPROVALS	DATE
DRAWN	SS
CHECKED	
APPROVED	

**ADAM TECH**  
 909 Rahway Avenue, Union, NJ 07083  
 Phone: 908-687-5000 Fax: 908-687-5710

TITLE: .100 [2.54] PCB CONNECTOR BOARD HOOKS, TOP ENTRY

SIZE: X PART NO.: PCE-A-XX

SCALE: NTS SHEET 1 OF 1