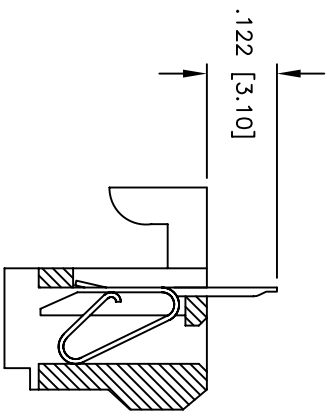
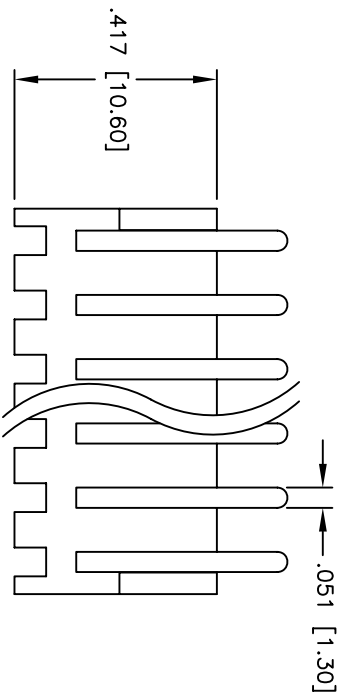
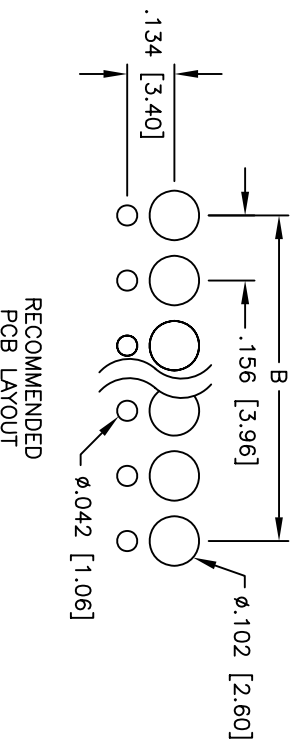
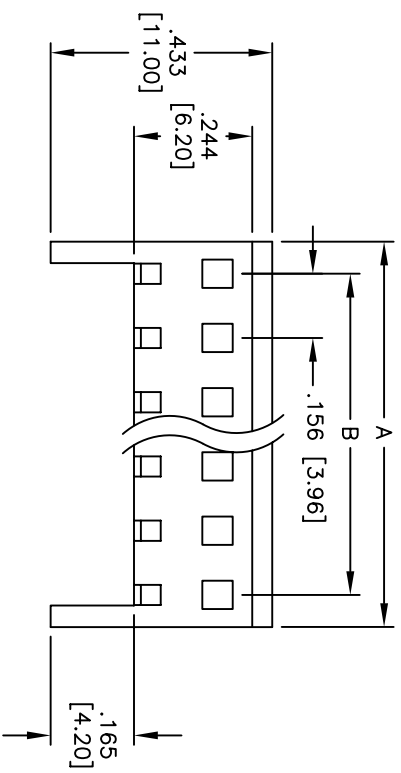


Rev	AWO #	Description	Date	Appr
-		RELEASED	6/2/05	

APPROVED: _____
 DATE: _____ TITLE: _____



SPECIFICATIONS:
 Material: Insulator: Nylon 66, rated UL 94V-0
 Insulator color: Natural
 Contacts: Phosphor Bronze
 Plating: Tin over Copper underplate overall
 Electrical: Operating voltage: 250 VAC max.
 Current rating: 7 Amps max.
 Contact resistance: 10 mohms max. initial
 Insulation resistance: 1,000 Mohms min.
 Dielectric withstanding voltage: 1,500 VAC for 1 minute
 Mechanical: Recommended PCB thickness: 0.063" (1.60mm)

Positions: 02 thru 20
 A = .156 [3.96] x No. of Positions
 B = .156 [3.96] x No. of Spaces

Temperature Rating: Operating temperature: -40°C to +105°C
 Environmental: Lead free, RoHS compliant
 Recommended soldering temp: 235°C for 5 seconds



UNLESS OTHERWISE SPECIFIED ALL DIMENSIONS ARE IN INCHES [MM]	
TOLERANCES: EXCEPT AS NOTED	HOLDS
.X ± .10	ØXX ± .10
.XX ± .020	ØXXX ± .015
.XXX ± .015	ØXXXX ± .010
APPROVALS	DATE
DRAWN	SS
CHECKED	
APPROVED	

ADAM TECH
 909 Railway Avenue, Union, NJ 07083
 Phone: 908-687-5000 Fax: 908-687-5710
 TITLE: .156 [3.96] PCB CONNECTOR
 BOARD HOOKS, BOTTOM ENTRY

SIZE	PART NO.	REV.
X	PCD-C-XX	-
REF:	SCALE: NTS	SHEET 1 OF 1