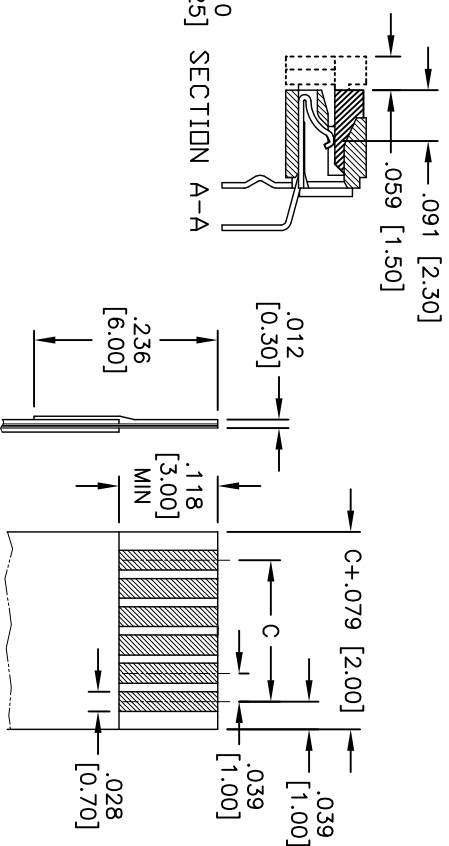
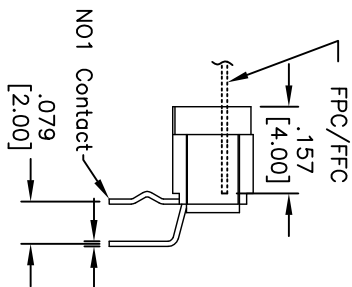
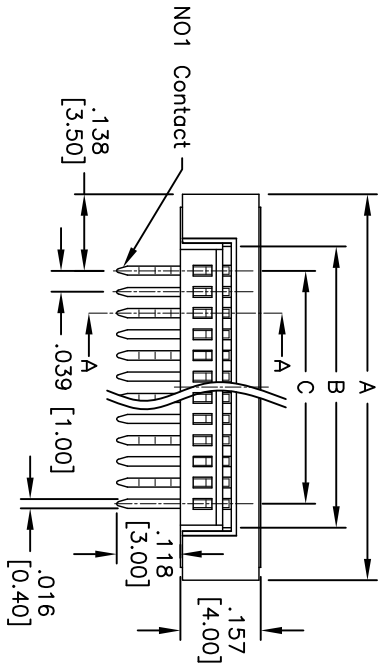
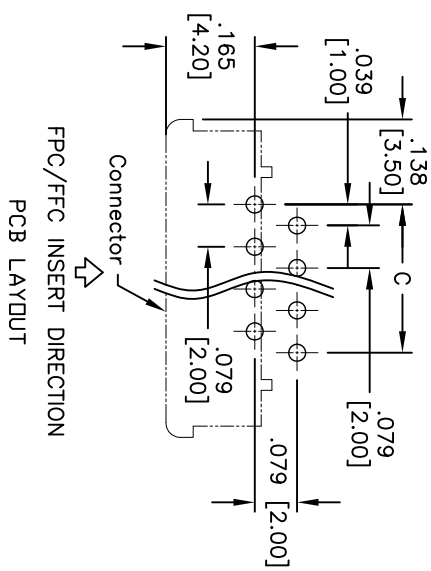
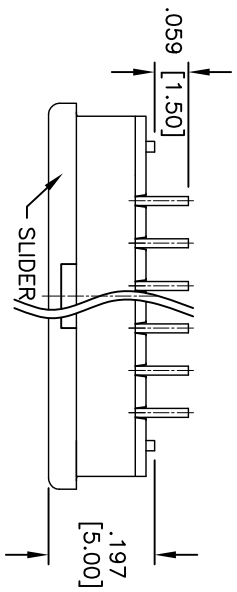


Rev	AWO #	Description	Date	Appr
-		RELEASED	2/22/11	

APPROVED: \_\_\_\_\_  
 DATE: \_\_\_\_\_ TITLE: \_\_\_\_\_



Positions: 4 thru 32  
 A = .039 [1.00] x No. of Positions - 1  
 B = A + .087 [2.20]  
 C = A + .276 [7.00]

**ADAM TECH**

909 Railway Avenue, Union, NJ 07083  
 Phone: 908-687-5000 Fax: 908-687-5710

LIF FLEX CIRCUIT CONNECTOR, 1.00mm PITCH,  
 SIDE ENTRY, 2.00 MM PCB ROW SPACING

**SPECIFICATIONS:**  
 Material: Insulator: Thermoplastic, rated UL 94V-0  
 Insulator color: Black  
 Slider: Thermoplastic, rated UL 94V-0  
 Contacts: Copper Alloy  
 Plating: Tin over Copper underplate overall  
 Electrical: Operating voltage: 50 VAC RMS max  
 Current rating: 0.5 Amp max  
 Temperature Rating: Operating temperature: -55°C to +85°C  
 Environmental: Lead free, RoHS compliant  
 Recommended soldering temp: 235°C for 5 seconds



UNLESS OTHERWISE SPECIFIED ALL DIMENSIONS ARE IN INCHES [MM]	
TOLERANCES: EXCEPT AS NOTED	
INCHES	HOLES
.X ± .10	ØXX ± .10
.XX ± .020	ØXXX ± .015
.XXX ± .015	ØXXXX ± .010
APPROVALS	DATE
DRAWN AY	2/22/11
CHECKED JL	2/22/11
APPROVED	

SIZE X	PART NO. PCB-H-XX-SA-20	REV.
REF: S00140T	SCALE: NTS	SHEET 1 OF 1