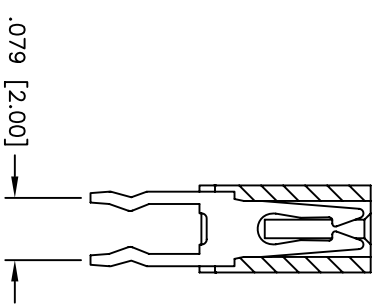
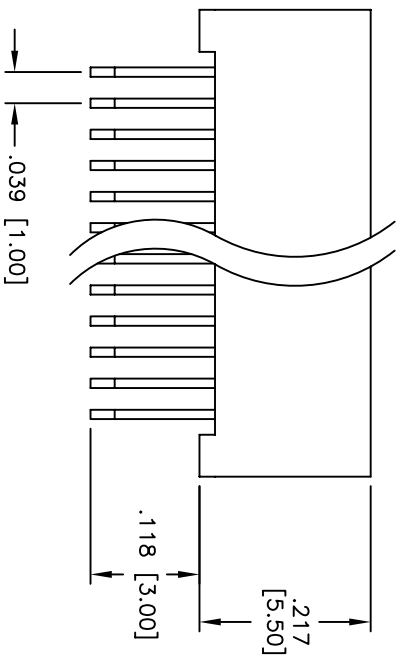
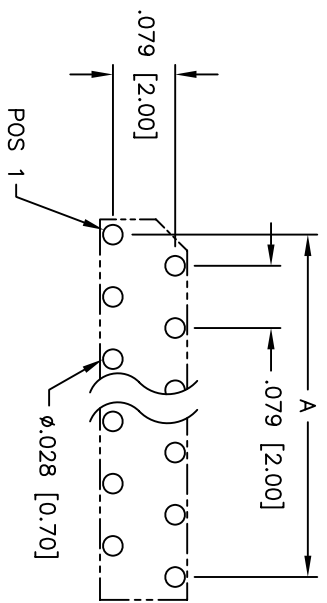
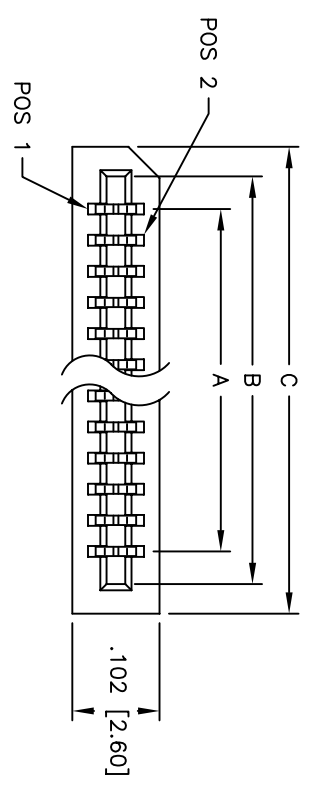


Rev	AWO #	Description	Date	Appr
-		RELEASED	3/23/05	

APPROVED: _____
 DATE: _____ TITLE: _____



SPECIFICATIONS:

Material: Insulator: PBT, Glass reinforced, rated UL 94V-0
 Insulator color: Black
 Contacts: Phosphor Bronze
Plating: Tin over Copper underplate overall
Electrical: Operating voltage: 100 VAC max
 Current rating: 0.5 Amps max
 Contact resistance: 30 mohms max initial
 Insulation resistance: 500 Mohms min
 Dielectric withstanding voltage: 500 VAC for 1 minute
Temperature Rating: Operating temperature: -40°C to +85°C
Environmental: Lead free, RoHS compliant
 Recommended soldering temp: 235°C for 5 seconds

Positions: 2 thru 21
 A = .039 [1.00] x No. of Spaces
 B = A + .090 [2.30]
 C = A + .157 [4.00]

UNLESS OTHERWISE SPECIFIED
 ALL DIMENSIONS ARE IN INCHES [MM]
 TOLERANCES: EXCEPT AS NOTED

INCHES	HOLES
.X ± .10	ØXX ± .10
.XX ± .020	ØXXX ± .015
.XXX ± .015	ØXXXX ± .010

APPROVALS

DATE	DATE

ADAM TECH
 909 Railway Avenue, Union, NJ 07083
 Phone: 908-687-5000 Fax: 908-687-5710

LIF FLEX CIRCUIT CONNECTOR
 TOP ENTRY, .079 [2.00] ROW SPACING

DRAWN	SS	3/23/05	SIZE	PART NO.	REV.
CHECKED			X	PCB-C-XX-T-20	
APPROVED			REF:	SCALE: NTS	SHEET 1 OF 1