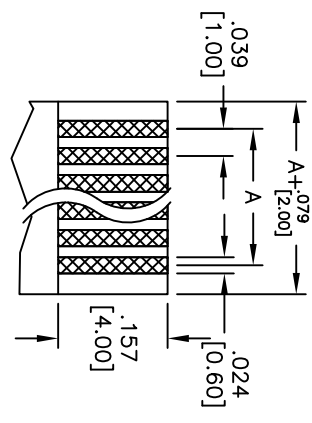
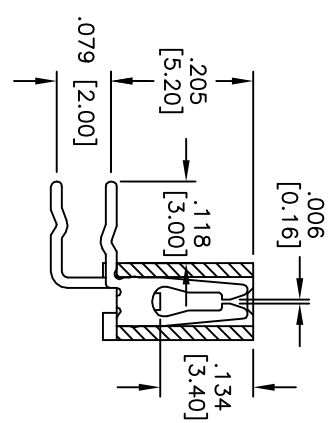
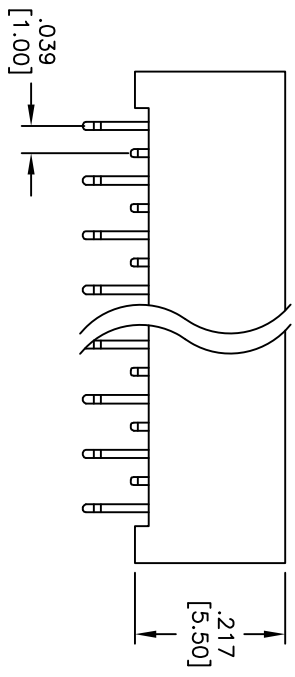
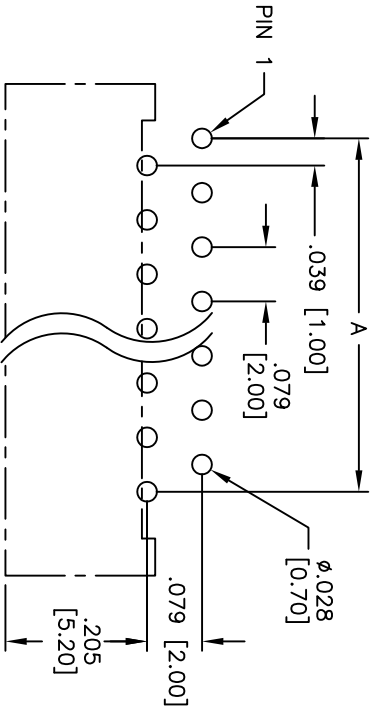
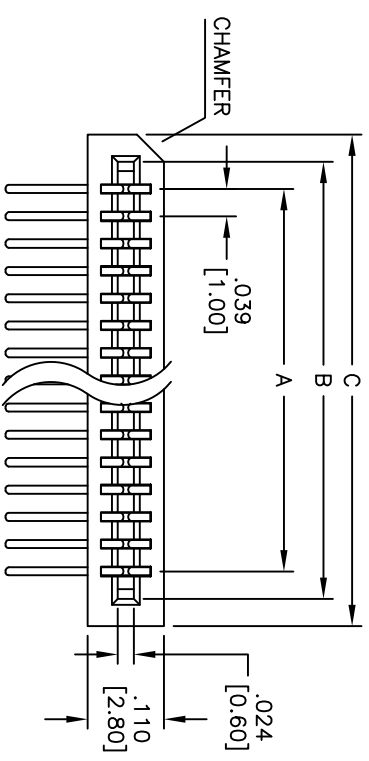


APPROVED: _____	DATE: _____	TITLE: _____
Rev	AWO #	Description
-		RELEASED
		Date
		4/10/09
		Appr



FPC/FFC T=.012±.002 [0.30±0.05]

SPECIFICATIONS:
 Material: PBT, Glass reinforced, rated UL 94V-0
 Insulator color: Black
 Contacts: Copper Alloy
 Plating:
 Tin over Copper underplate overall
 Electrical:
 Current rating: 0.5 Amps max
 Contact resistance: 30 mohms max initial
 Insulation resistance: 1000 Mohms min
 Dielectric withstanding voltage: 500 VAC for 1 minute
 Temperature Rating:
 Operating temperature: -55°C to +85°C
 Environmental:
 Lead free, RoHS compliant
 Recommended soldering temp: 235°C for 5 seconds

Positions: 3 thru 30
 A = .039 [1.00] x No. of Spaces
 B = A + .083 [2.10]
 C = A + .157 [4.00]

UNLESS OTHERWISE SPECIFIED
 ALL DIMENSIONS ARE INCHES [MM]
 TOLERANCES: EXCEPT AS NOTED
 INCHES HOLE SIZES
 .X ± .10 ØX ± .10
 .XX ± .020 ØXX ± .015
 .XXX ± .015 ØXXX ± .010
 APPROVALS

DRAWN	DY	4/10/09	SIZE	PART NO.	REV.
CHECKED	AY	7/28/10	X	PCB-C-XX-SB-20	
APPROVED			REF:	S00043T	SHEET 1 OF 1



ADAM TECH

909 Railway Avenue, Union, NJ 07083
 Phone: 908-687-5000 Fax: 908-687-5710

TITLE: LIFE FLEX CIRCUIT CONNECTOR
 REVERSE SIDE ENTRY, .079 [2.00] ROW SPACING

6	5	4	3	2	1
---	---	---	---	---	---