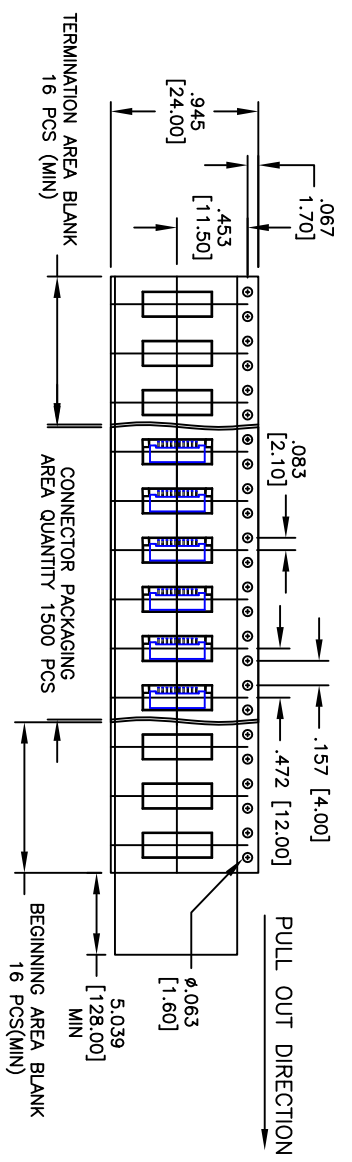
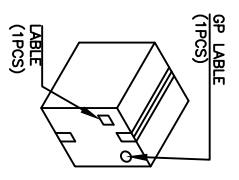
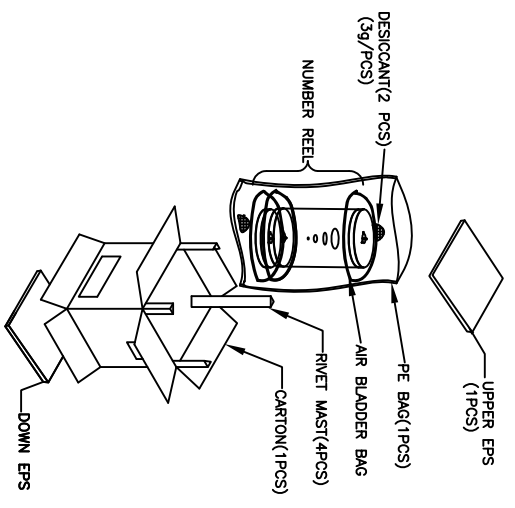
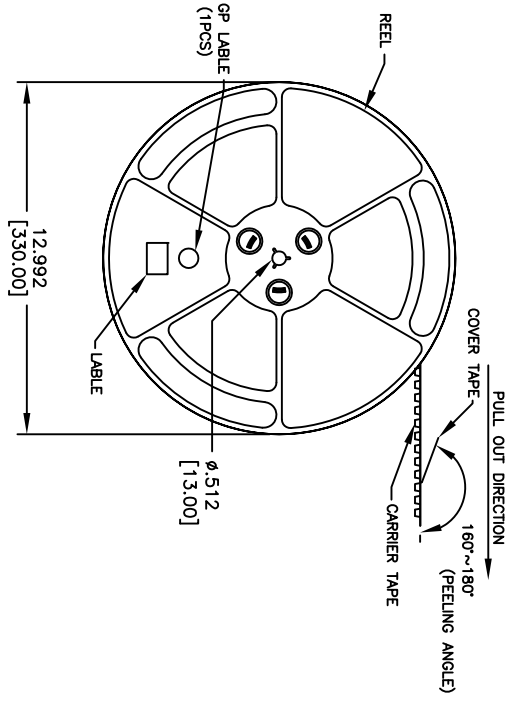


APPROVED: _____	TITLE: _____	DATE: _____		
Rev	AWO #	Description	Date	Appr
-		RELEASED	3/23/05	



UNLESS OTHERWISE SPECIFIED
ALL DIMENSIONS ARE INCHES [MM]
TOLERANCES: EXCEPT AS NOTED
INCHES

.X	± .10	ØX	± .10
.XX	± .020	ØXX	± .015
.XXX	± .015	ØXXX	± .010

APPROVALS

DRAWN	SS	3/23/05
CHECKED	AY	7/28/10
APPROVED		

ADAM TECH
909 Railway Avenue, Union, NJ 07083
Phone: 908-687-5000 Fax: 908-687-5710

TITLE: LIF FLEX CIRCUIT CONNECTOR
SIDE ENTRY, SMT

SIZE: X
PART NO.: PCB-C-XX-SA-SMT-T/R
SCALE: NTS
SHEET 2 OF 2

SPECIFICATIONS:
CARTON: 35.0 X 35.0 X 29.0CM
1500pcs/reel, 10reels/carton
15,000pcs/ carton