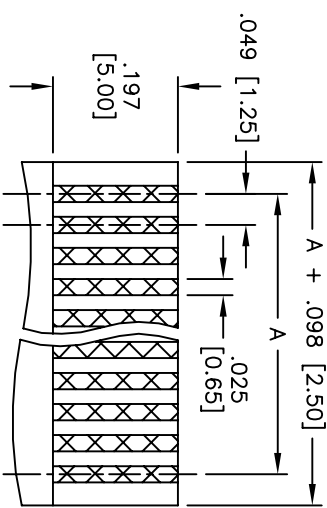
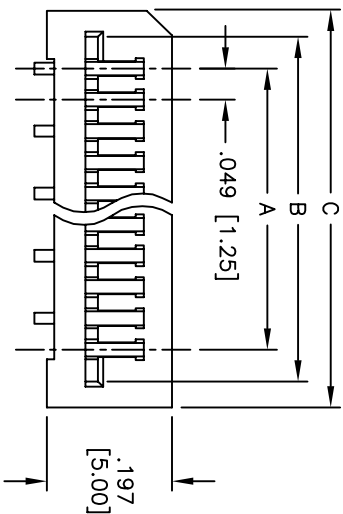
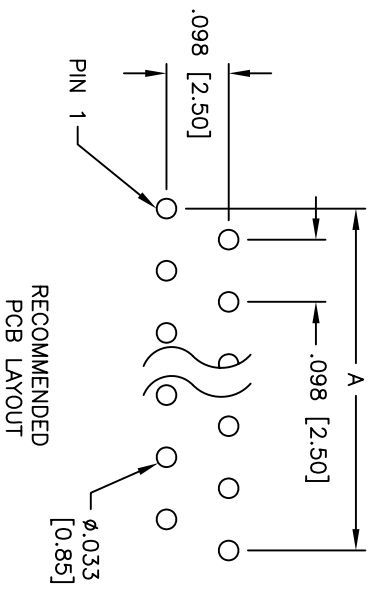
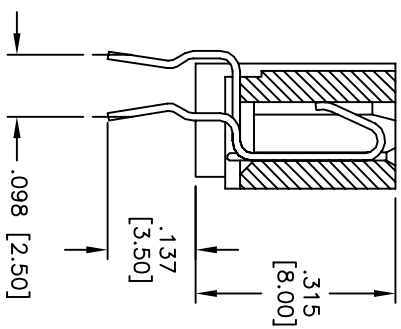
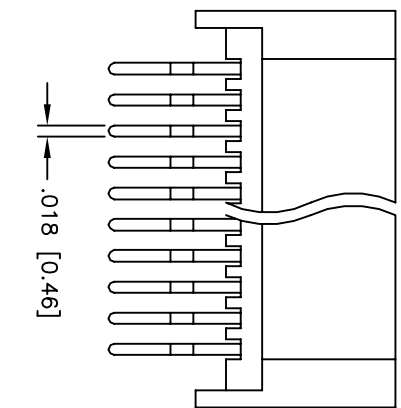


Rev	AWO #	Description	Date	Appr
-		RELEASED	3/23/05	

APPROVED: _____
 DATE: _____ TITLE: _____



FPC/FFC THICKNESS
 .012 ±.002
 [0.30 ±0.05]



SPECIFICATIONS:

Material: Insulator: PBT, Glass reinforced, rated UL 94V-0
 Insulator color: Black
 Contacts: Phosphor Bronze
 Plating: Tin over Copper underplate overall
 Electrical: Operating voltage: 250 VAC max
 Current rating: 1 Amp max
 Contact resistance: 25 mohms max initial
 Insulation resistance: 1000 Mohms min
 Dielectric withstanding voltage: 500 VAC for 1 minute
 Temperature Rating: Operating temperature: -55°C to +85°C
 Environmental: Lead free, RoHS compliant
 Recommended soldering temp: 235°C for 5 seconds

Positions: 4 thru 36
 A = .049 [1.25] x No. of Spaces
 B = A + .100 [2.54]
 C = A + .183 [4.65]

UNLESS OTHERWISE SPECIFIED
 ALL DIMENSIONS ARE INCHES [MM]
 TOLERANCES: EXCEPT AS NOTED

INCHES	HOLES
.X ±.10	ØXX ±.10
.XX ±.020	ØXXX ±.015
.XXX ±.015	ØXXXX ±.010

APPROVALS: _____ DATE: _____

DRAWN	SS	3/23/05
CHECKED		
APPROVED		

ADAM TECH
 909 Rahway Avenue, Union, NJ 07083
 Phone: 908-687-5000 Fax: 908-687-5710

TITLE	LIF FLEX CIRCUIT CONNECTOR		
SIZE	PART NO.	SCALE	REV.
X	PCB-B-XX-T	NTS	-
REF:		SHEET 1	OF 1

6 5 4 3 2 1

6 5 4 3 2 1