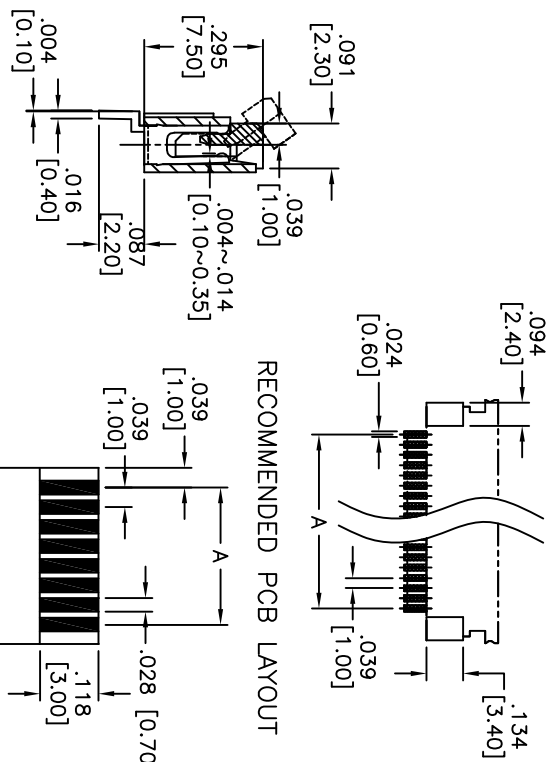
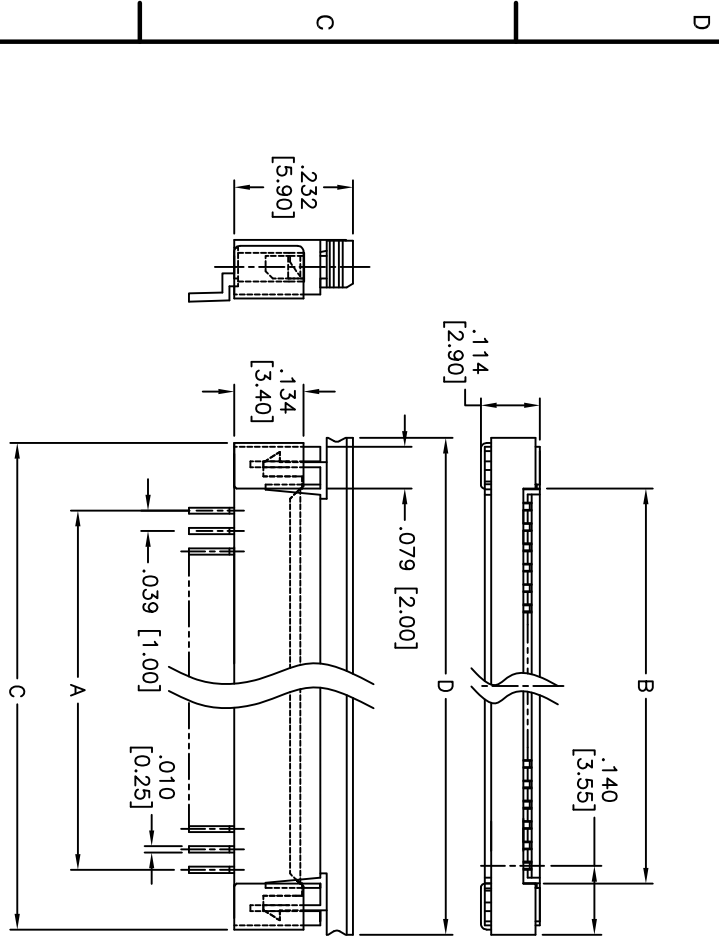


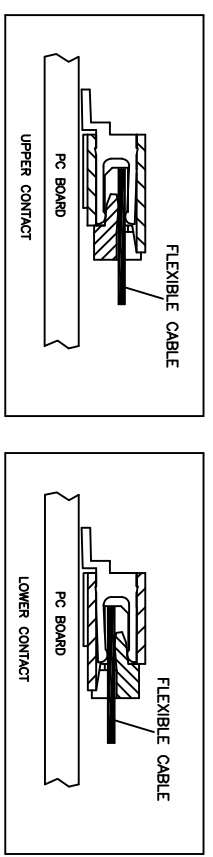
Rev	AWO #	Description	Date	Appr
-		RELEASED	11/24/10	

APPROVED: \_\_\_\_\_  
 DATE: \_\_\_\_\_ TITLE: \_\_\_\_\_



RECOMMENDED PCB LAYOUT

RECOMMENDED FPC & FFC  
 DIMENSION (THICKNESS = 0.3mm)



Positions: 3 thru 32  
 A = .039 [1.00] x No. of Spaces  
 B = .039 [1.00] x No. of Spaces + .087 [2.20]  
 C = .039 [1.00] x No. of Spaces + .256 [6.50]  
 D = .039 [1.00] x No. of Spaces + .280 [7.10]

SPECIFICATIONS:

- Material: Housing: LCP, rated UL 94V-0
- Housing color: Beige
- Cover: LCP, rated UL 94V-0
- Latch: Phosphor Bronze, Tin plated
- Termini: Phosphor Bronze
- Plating: Tin over Copper underplate overall
- Electrical: Operating voltage: 200 VAC max
- Current rating: 1.0 Amps max
- Contact resistance: 20 mohms max initial
- Insulation resistance: 500 Mohms min
- Dielectric withstanding voltage: 500 VAC for 1 minute
- Temperature Rating: Operating temperature: -40°C to +105°C
- Environmental: Lead free, RoHS compliant.
- Recommended soldering temp: 260°C for 5 sec.

**ADAM TECH**

909 Railway Avenue, Union, NJ 07083  
 Phone: 908-687-5000 Fax: 908-687-5710

TITLE: ZIF FLEX CIRCUIT CONNECTOR  
 1.00MM PITCH, SMT TYPE

UNLESS OTHERWISE SPECIFIED ALL DIMENSIONS ARE INCHES [MM]	
TOLERANCES: EXCEPT AS NOTED	
INCHES	HOLES
.X ± .10	ØXX ± .10
.XX ± .020	ØXXX ± .015
.XXX ± .015	ØXXXX ± .010
APPROVALS	
DRAWN	AY
CHECKED	AW
DATE	DATE
11/24/10	11/24/10

SIZE	PART NO.	SCALE	SHEET	REV.
X	PCA-3-XX-HX-3	NIS	1 OF 1	-

