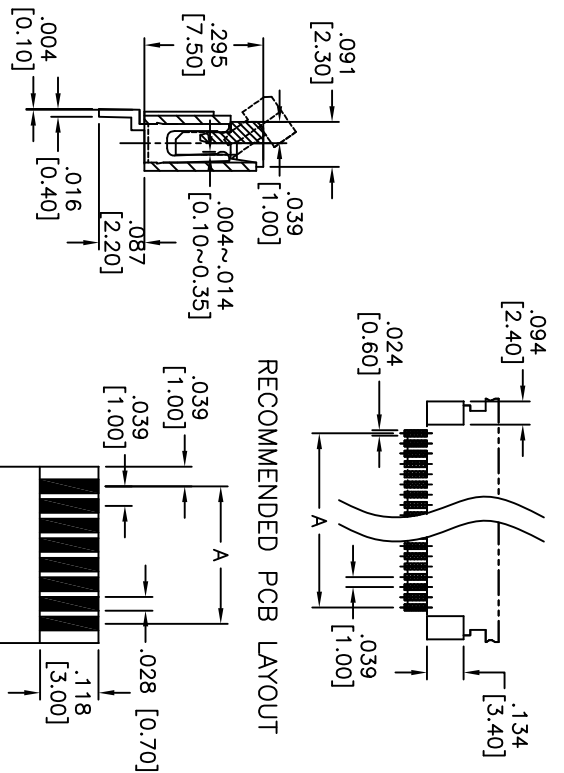
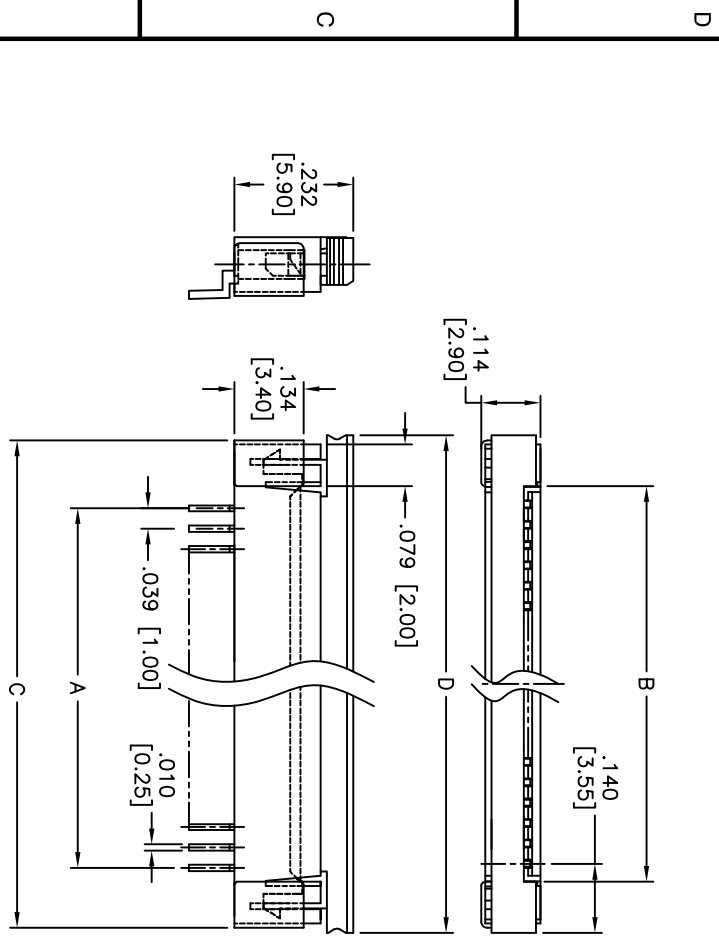


Rev	AWO #	Description	Date	Appr
-		RELEASED	11/24/10	

APPROVED: _____
 DATE: _____ TITLE: _____

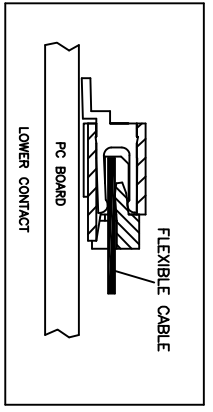
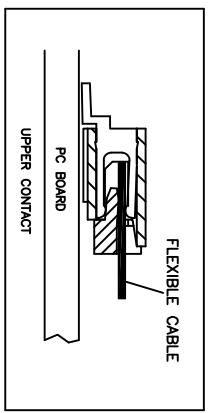


RECOMMENDED PCB LAYOUT

RECOMMENDED FPC & FFC DIMENSION (THICKNESS = 0.3mm)

PACKAGED ON TAPE & REEL

- Positions: 3 thru 32
- A = .039 [1.00] x No. of Spaces
 - B = .039 [1.00] x No. of Spaces + .087 [2.20]
 - C = .039 [1.00] x No. of Spaces + .256 [6.50]
 - D = .039 [1.00] x No. of Spaces + .280 [7.10]



PCA-3-XX-HU-3-T/R

PCA-3-XX-HL-3-T/R

SPECIFICATIONS:

Material: LCP, rated UL 94V-0
 Housing color: Beige
 Cover: LCP, rated UL 94V-0
 Latch: Phosphor Bronze, Tin plated
 Terminal: Phosphor Bronze
 Plating: Tin over Copper underplate overall
 Electrical: Operating voltage: 200 VAC max
 Current rating: 1.0 Amps max
 Contact resistance: 20 mohms max initial
 Insulation resistance: 500 Mohms min
 Dielectric withstanding voltage: 500 VAC for 1 minute
 Temperature Rating: Operating temperature: -40°C to +105°C
 Environmental: Lead free, RoHS compliant.
 Recommended soldering temp: 260°C for 5 sec.



UNLESS OTHERWISE SPECIFIED ALL DIMENSIONS ARE INCHES [MM]

TOLERANCES: EXCEPT AS NOTED	INCHES	HOLES
.X	± .10	ØXX ± .10
.XX	± .020	ØXXX ± .015
.XXX	± .015	ØXXXX ± .010

APPROVALS

DATE	DATE
AW	AY

ADAM TECH
 909 Railway Avenue, Union, NJ 07083
 Phone: 908-687-5000 Fax: 908-687-5710

TITLE: ZIF FLEX CIRCUIT CONNECTOR
 1.00MM PITCH, SMT TYPE

DRAWN	CHECKED	APPROVED	SIZE	PART NO.	SCALE	SHEET	REV.
AW	AW	AW	X	PCA-3-XX-HX-3-T/R	MKS	1 OF 1	-