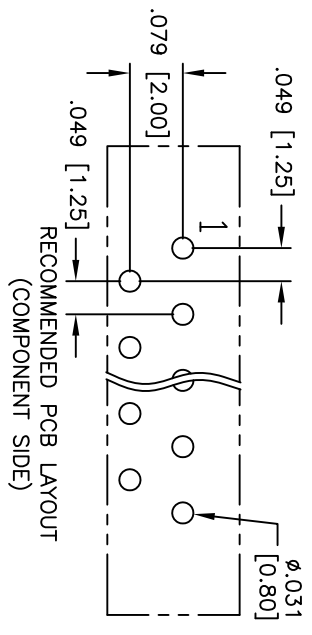
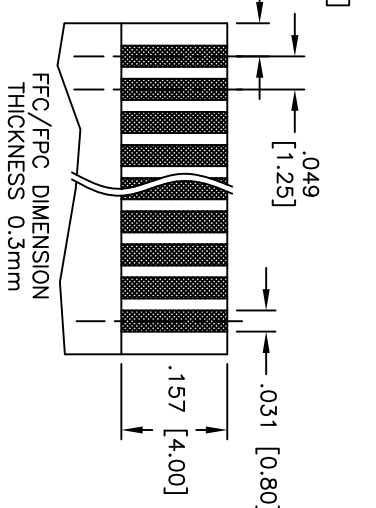
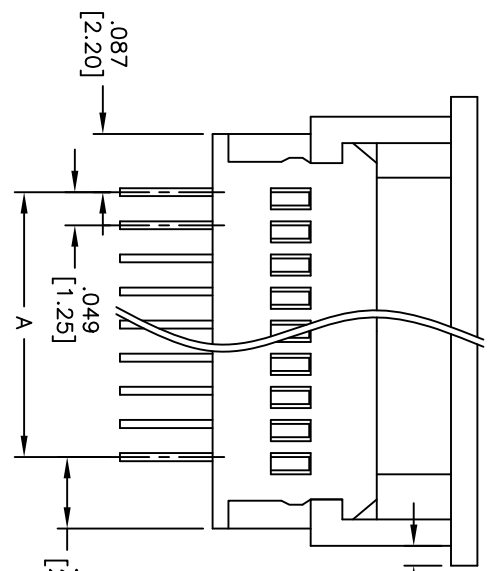
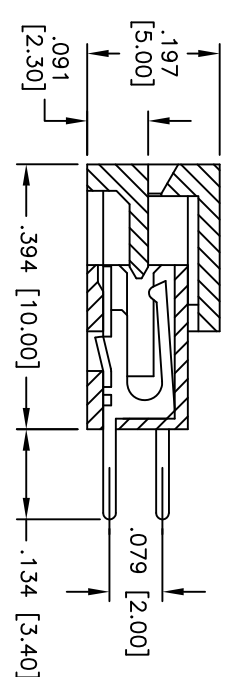
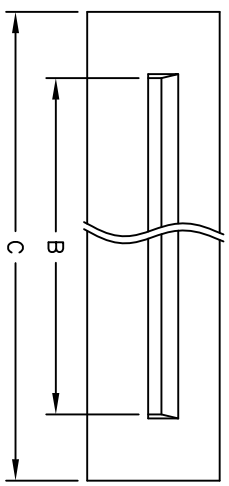


Rev	AWO #	Description	Date	Appr
-		RELEASED	3/16/05	
A		REVISED SPEC.	12/15/10	
B		REDRAWN	12/22/10	

APPROVED: \_\_\_\_\_  
 DATE: \_\_\_\_\_ TITLE: \_\_\_\_\_



**SPECIFICATIONS:**  
 Material: PBT, glass reinforced, rated UL 94V-0  
 Insulator color: Natural  
 Contacts: Phosphor Bronze  
 Plating: Tin over Copper underplate overall

**Electrical:**  
 Operating voltage: 200 VAC max  
 Current rating: 1 Amp max  
 Contact resistance: 20 mohms max initial  
 Insulation resistance: 500 Mohms min  
 Dielectric withstanding voltage: 500 VAC for 1 minute  
 Temperature Rating: Operating temperature: -20°C to +85°C

**Environmental:**  
 Lead free, RoHS compliant  
 Recommended soldering temp: 235°C for 5 seconds

**Positions: 3 thru 32**  
 A = .049 [1.25] x No. of Spaces  
 B = .049 [1.25] x No. of Spaces + .106 [2.70]  
 C = .049 [1.25] x No. of Spaces + .278 [7.05]

UNLESS OTHERWISE SPECIFIED  
 ALL DIMENSIONS ARE IN INCHES [MM]  
 TOLERANCES: EXCEPT AS NOTED  
 INCHES: .X ± .10 Ø.X ± .015  
 .XX ± .020 Ø.XXX ± .010  
 .XXX ± .015 Ø.XXX ± .010

**ADAM TECH**  
 909 Rahway Avenue, Union, NJ 07083  
 Phone: 908-687-5000 Fax: 908-687-5710

DRAWN	SS	3/16/05	SIZE	PART NO.	PCA-1-XX-V-3-20	REV.	B
CHECKED			REF:	SCALE:	NTS	SHEET	1 OF 1
APPROVED			TITLE	ZIF FLEX CIRCUIT CONNECTOR TOP ENTRY, PCB			

