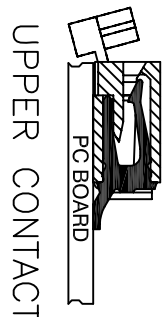
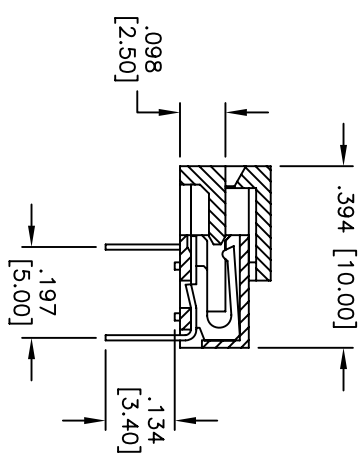
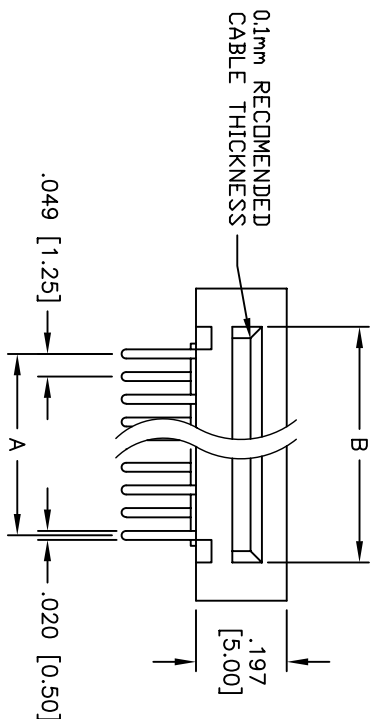
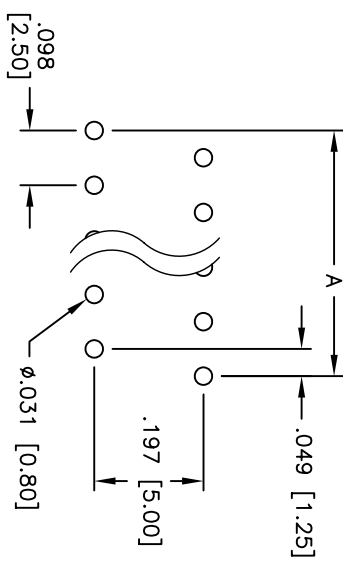
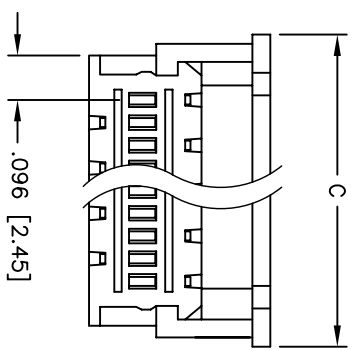


Rev	AWO #	Description	Date	Appr
-		RELEASED	05/10/07	

APPROVED: _____
 DATE: _____ TITLE: _____



UPPER CONTACT



PCB LAYOUT

SPECIFICATIONS:

- Material: Insulator: LCP, Glass reinforced, rated UL 94V-0
- Insulator color: Natural
- Contacts: Phosphor Bronze
- Plating: Tin over Copper underplate overall
- Electrical: Operating voltage: 100 VAC max
- Current rating: 1 Amp max
- Contact resistance: 30 mohms max initial
- Insulation resistance: 500 Mohms min
- Dielectric withstanding voltage: 500 VAC for 1 minute
- Mechanical: Recommended cable thickness: 0.1mm
- Temperature Rating: Operating temperature: -40°C to +85°C
- Environmental: Lead free, RoHS compliant
- Recommended soldering temp: 235°C for 5 seconds

Positions: 3 thru 30
 A = .049 [1.25] x No. of Spaces
 B = A + .106 [2.70]
 C = A + .303 [7.70]

UNLESS OTHERWISE SPECIFIED
 ALL DIMENSIONS ARE INCHES [MM]
 TOLERANCES: EXCEPT AS NOTED

INCHES	HILES
.X ± .10	ØXX ± .10
.XX ± .020	ØXXX ± .015
.XXX ± .015	ØXXX ± .010

APPROVALS

DATE	DATE
BAS	05/10/07

ADAM TECH
 909 Railway Avenue, Union, NJ 07083
 Phone: 908-687-5000 Fax: 908-687-5710

REV.	SIZE	PART NO.	SCALE	SHEET 1 OF 1
X	X	PCA-1-XX-HU-1-50	MKS	1

TITLE: ZIF FLEX CIRCUIT CONNECTOR
 SIDE ENTRY, UPPER CONTACT



6 5 4 3 2 1