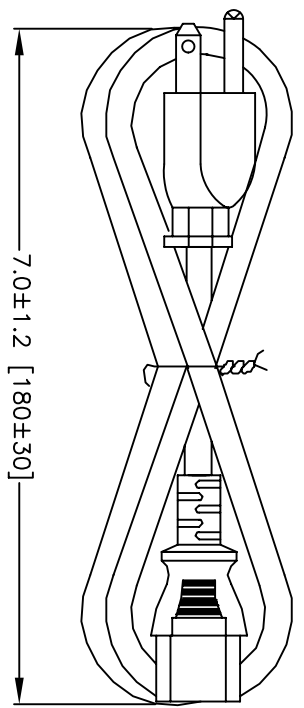
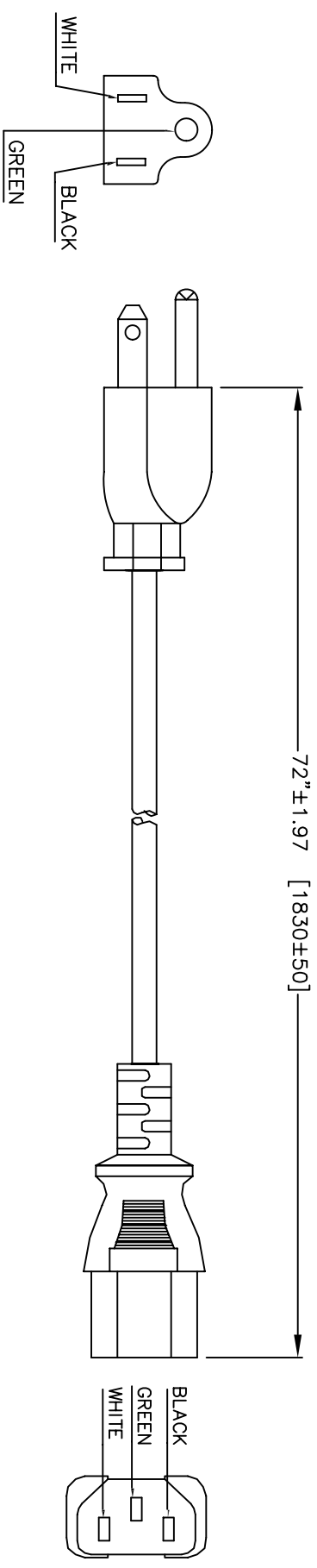


Rev	AWO #	Description	Date	Appr
-		RELEASED	11/03/04	

APPROVED: _____
 DATE: _____ TITLE: _____
 CUSTOM CABLE ASSEMBLIES ARE
 NON-CANCELLABLE/NON-RETURNABLE



SPECIFICATIONS:

Electrical:

Current rating: 10 Amps
 Voltage rating: 125V AC

Connectors:

P1 = Nema 5-15P, color black
 P2 = IEC C13 Female, color black

Cable:

18/3 SJTO, N/A wire color (White, Black, Green),
 jacket color black, UL & CSA

Electrical Test:

All assemblies must be 100% tested for shorts, open continuity
 and physical appearance.

UNLESS OTHERWISE SPECIFIED ALL DIMENSIONS ARE INCHES [MM]	
TOLERANCES: EXCEPT AS NOTED	
INCHES	HOLES
.X ± .10	ØX ± .10
.XX ± .020	ØXX ± .015
.XXX ± .015	ØXXX ± .010
APPROVALS	DATE
DRAWN	SS
CHECKED	
APPROVED	

ADAM TECH

909 Rahway Avenue, Union, NJ 07083
 Phone: 908-687-5000 Fax: 908-687-5710

TITLE: NORTH AMERICAN POWER CORD, 6 FT
 18/3 SJTO, COLOR BLACK

SIZE	PART NO.	REV.
X	PC-0102060WC03	-
REF:	SCALE: NTS	SHEET 1 OF 1