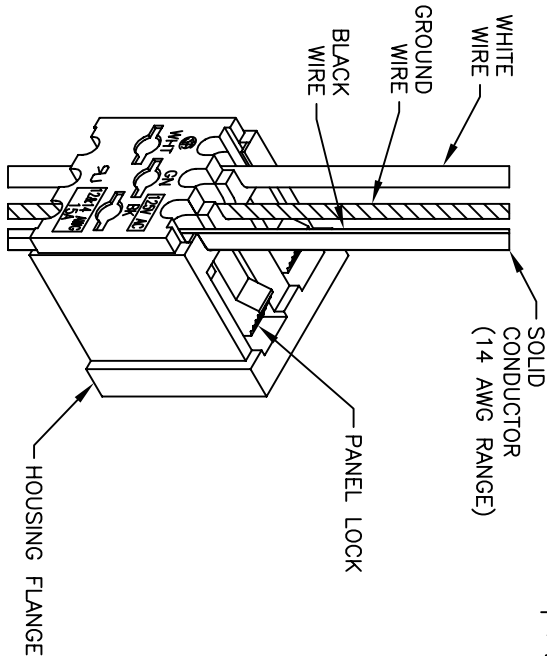
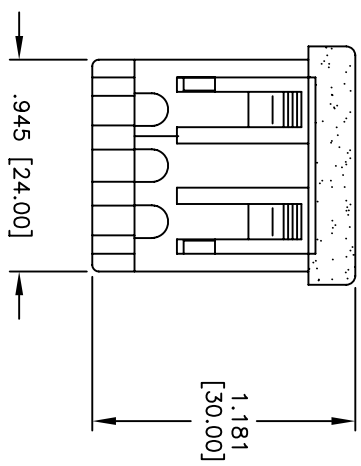
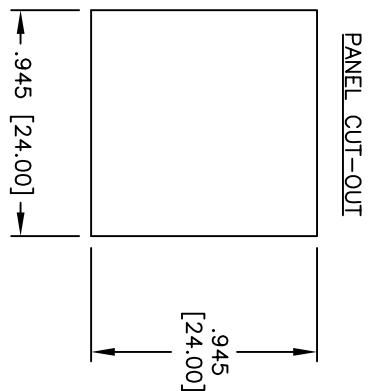
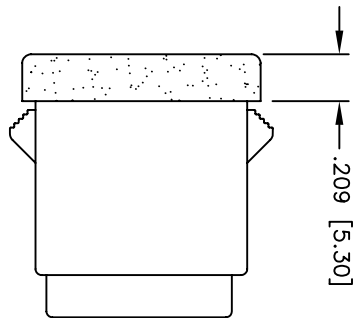
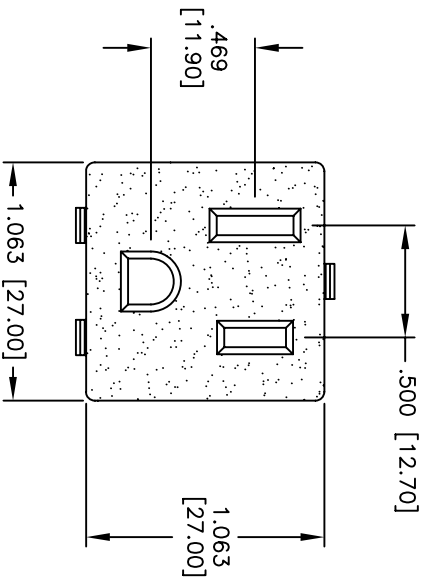


Rev	AWO #	Description	Date	Appr
-		RELEASED	1/19/05	

APPROVED: _____
 DATE: _____ TITLE: _____



SPECIFICATIONS:

Material: Insulator: Polycarbonate, rated UL94V-0
 Insulator color: Black
 Contacts: Brass
 Plating: Nickel over Copper underplate overall
 Electrical:
 Operating voltage: 125 VAC
 Current rating: UL & CSA: 15 Amps max.
 Contact resistance: 30 mohms max.
 Insulation resistance: 100 Mohms min. @ 500 VDC
 Dielectric withstanding voltage: 1,000 VAC for 1 minute
 Temperature Rating:
 Operating temperature: -65°C to +125°C
 Recommended wire size: 12-14 AWG solid
 Environmental:
 Lead free, RoHS Compliant



ADAM TECH

909 Rahway Avenue, Union, NJ 07083
 Phone: 908-687-5000 Fax: 908-687-5710

NEMA UNIVERSAL PANEL SNAP RECEPTACLE

UNLESS OTHERWISE SPECIFIED ALL DIMENSIONS ARE INCHES [MM]	
TOLERANCES: EXCEPT AS NOTED	
INCHES	HOLDS
.X ± .10	ØX ± .10
.XX ± .020	ØXXX ± .015
.XXX ± .015	ØXXXX ± .010
APPROVALS	DATE
DRAWN SS	1/19/05
CHECKED	
APPROVED	

TITLE		NEMA UNIVERSAL PANEL SNAP RECEPTACLE	
SIZE	PART NO.	NEMA-5-3	
REF:	SCALE:	NTS	SHEET 1 OF 1