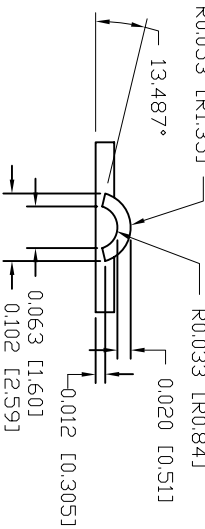
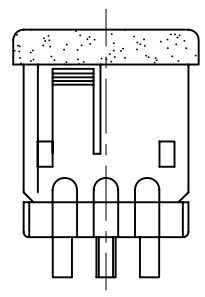
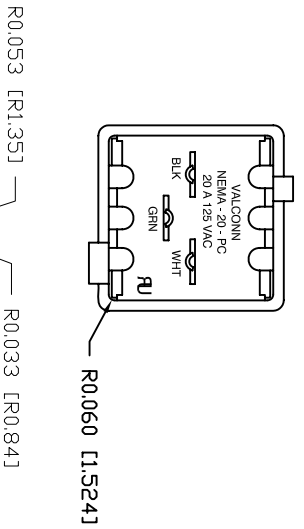
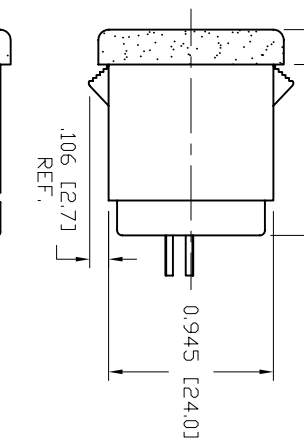
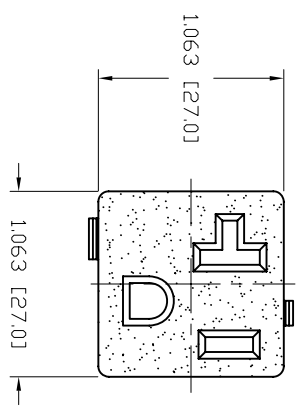
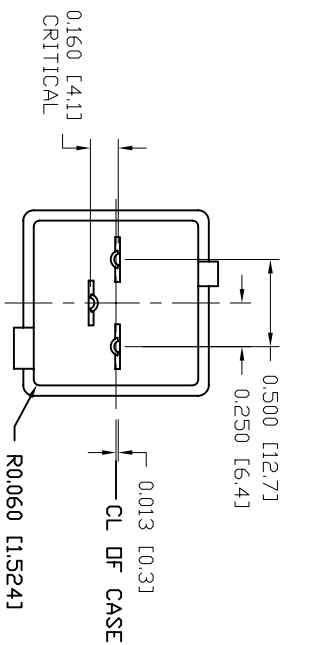
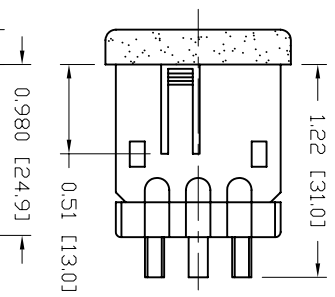
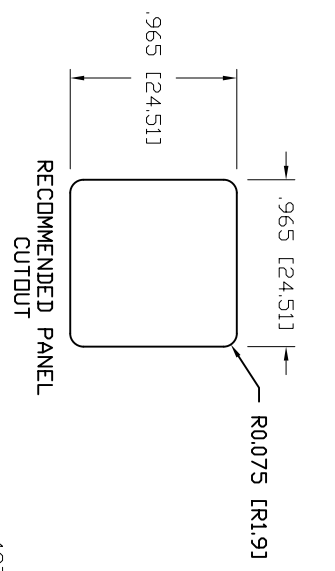


Rev	AWO #	Description	Date	Appr
-		RELEASED	3/16/06	

APPROVED: _____
 DATE: _____ TITLE: _____



SPECIFICATION:
Material: Polycarbonate rated UL 94V-0
Insulator: Black
Contacts: Bronze
Plating:
 Contacts: 50 µin Bright Nickel to QQ-N-290, Class 2, Grade
 Terminals: 100 µin min Bright Tin Plate to MIL-T-10727,
 Type 1 with 50 µin min copper underplate to
 MIL-T-10727

Electrical:
 Operation voltage: 125 VAC max
 Current rating: 20 Amps max
 Contact resistance: 20 mΩ max
 Insulation resistance: 1000 MΩ min @ 1500 VDC between
 adjacent contacts (75°F and 50% R.H.)
 Dielectric withstanding voltage: 1500 VAC min rms (See Level)

Environmental:
 Operating temperature: -65°C to +125°C
 Lead free, RoHS compliant.
 Recommended soldering temp: 230 for 5 sec.



UNLESS OTHERWISE SPECIFIED
 ALL DIMENSIONS ARE INCHES [MM]
 TOLERANCES: EXCEPT AS NOTED

INCHES	HOLES
.X ± .10	Ø.X ± .10
.XX ± .020	Ø.XXX ± .015
.XXX ± .015	Ø.XXX ± .010

APPROVALS

DATE	DATE
SS	3/16/06

ADAM TECH
 909 Rahway Avenue, Union, NJ 07083
 Phone: 908-687-5000 Fax: 908-687-5710

TITLE: NEMA 5-20 OUTLET, PC PIN

SIZE	PART NO.	REV.
X	NEMA-5-20-REV-B	

SCALE: NTS SHEET 1 OF 1