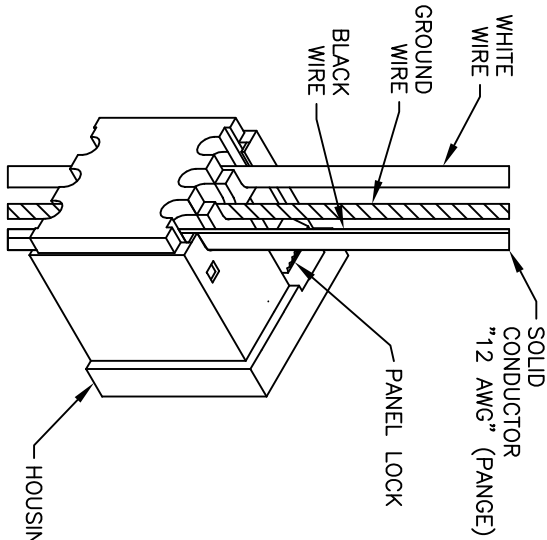
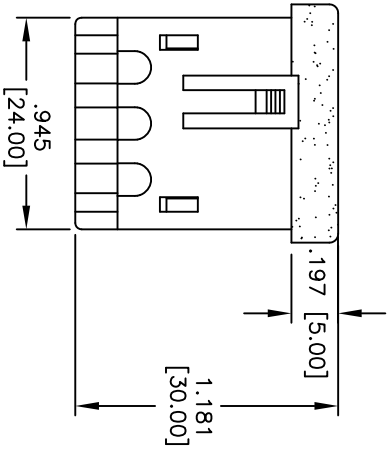
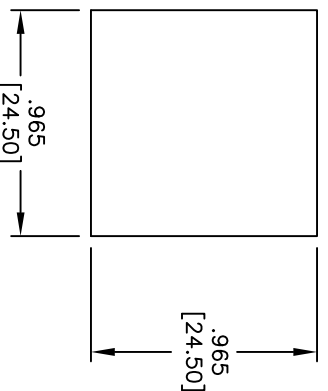
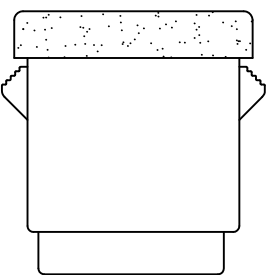
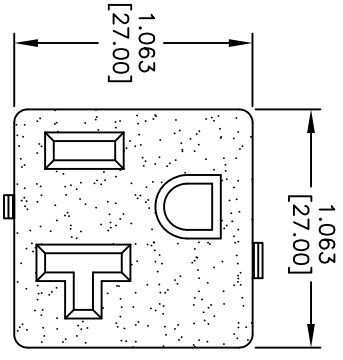


Rev	AWO #	Description	Date	Appr
-		RELEASED	6/02/10	

APPROVED: _____
 DATE: _____ TITLE: _____



SPECIFICATIONS:

Material: Insulator: Nylon, rated UL94V-0
 Insulator color: Gray
 Contacts: Brass

Plating: Nickel over Copper underplate overall

Electrical: Operating voltage: 125 VAC
 Current rating: UL & CSA: 15/20 Amps max.
 Contact resistance: 30 mohms max.

Insulation resistance: 100 Mohms min. @ 500 VDC
 Dielectric withstanding voltage: 1,000 VAC for 1 minute
 Temperature Rating: Operating temperature: -65°C to +125°C
 Environmental: Lead free, RoHS Compliant

UNLESS OTHERWISE SPECIFIED
 ALL DIMENSIONS ARE INCHES [MM]
 TOLERANCES: EXCEPT AS NOTED
 INCHES

.X	± .10	ØX	± .10
.XX	± .020	ØXXX	± .015
.XXX	± .015	ØXXXX	± .010

APPROVALS

DRAWN	DY	6/02/10
CHECKED		
APPROVED		

ADAM TECH
 909 Rahway Avenue, Union, NJ 07083
 Phone: 908-687-5000 Fax: 908-687-5710

TITLE: NEMA 5-20 RECEPTACLE, PANEL SNAP IN

SIZE	PART NO.	REV.
X	NEMA-5-20-3-GY	-

REF: S00081T SCALE: NTS SHEET 1 OF 1

6 5 4 3 2 1