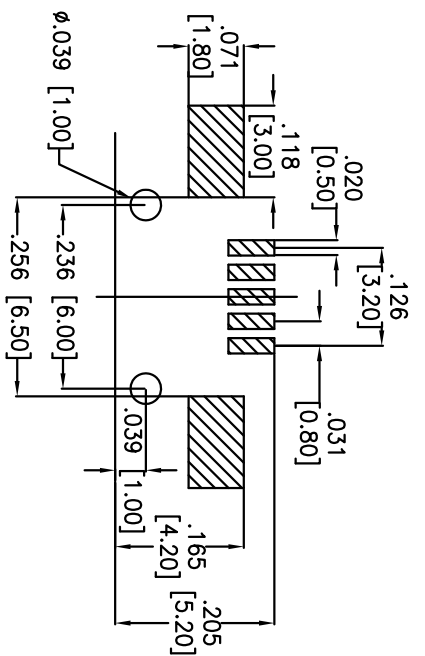
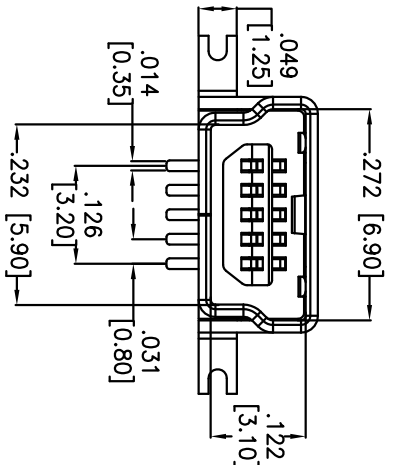
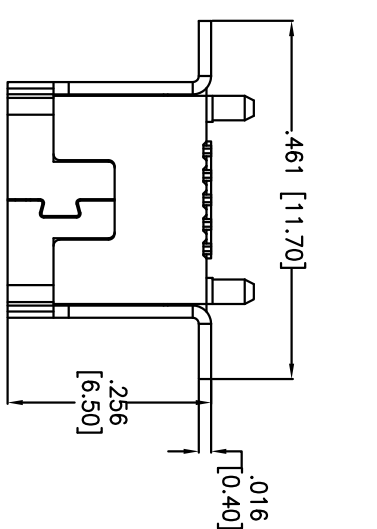
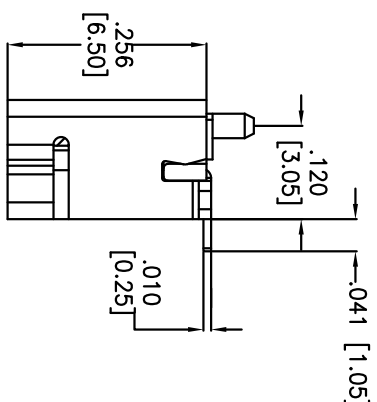
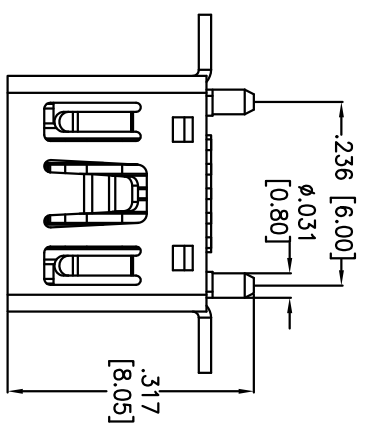


Rev	AWO #	Description	Date	Appr
-		RELEASED	2/25/09	

APPROVED: _____
 DATE: _____ TITLE: _____



PACKAGED ON TAPE & REEL

RECOMMENDED PCB LAYOUT

SPECIFICATIONS:

Material: Insulator: LCP, rated UL 94V-0
 Insulator color: Black
 Contacts: Phosphor Bronze
 Shell: Brass

Plating: Gold Flash over Nickel underplate on contact area, Tin over Copper underplate on PCB tails

Electrical:
 Current Rating: 1.5 Amp
 Voltage Rating: 250 VAC
 Contact resistance: 20 Mohms max
 Insulation resistance: 1000 Mohms min
 Dielectric withstanding voltage: 500 VAC for 1 minute
 Temperature Rating: Operating temperature: -40°C to +85°C
 Environmental: Lead free, RoHS compliant.
 Recommended soldering temp: 260°C for 5 sec.



UNLESS OTHERWISE SPECIFIED ALL DIMENSIONS ARE MM TOLERANCES: EXCEPT AS NOTED	
XX ± 0.25	
XXX ± 0.20	

ADAM TECH
 909 Rahway Avenue, Union, NJ 07083
 Phone: 908-687-5000 Fax: 908-687-5710

APPROVALS		DATE		TITLE	
DRAWN	DY	2/25/09		MINI USB, TYPE B, 5PIN, VERTICAL, TRUE SMT	
CHECKED				SIZE	PART NO.
APPROVED				X	MUSB-B5-S-VT-TSMT-1-T/R
				REF:	S00113T
				SCALE:	NTS
				SHEET:	1 OF 1