

6

5

4

3

2

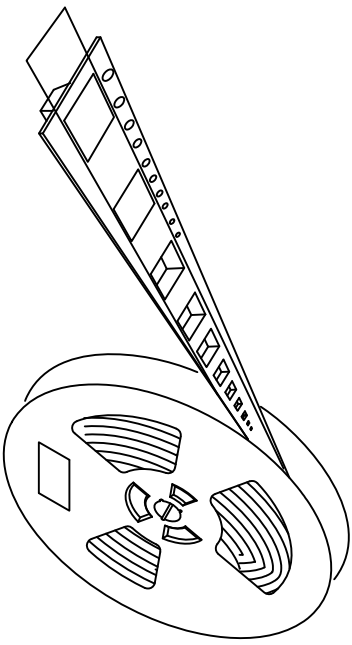
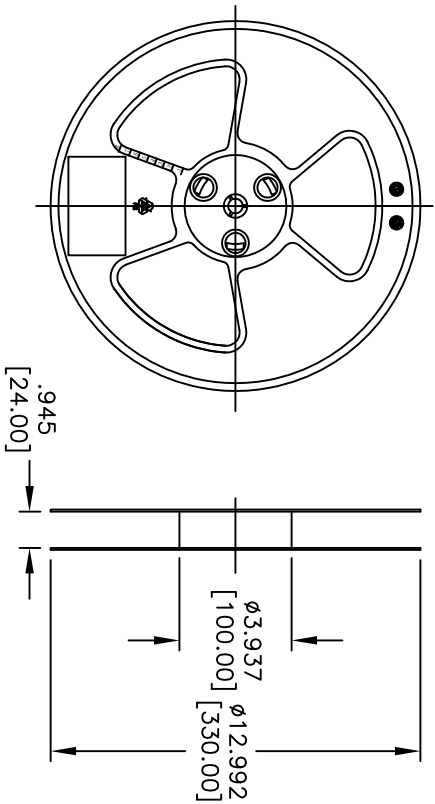
1

Rev	AWO #	Description	Date	Appr
		SEE SHT 1 OF 2 FOR REVISION		

DATE: _____

TITLE: _____

APPROVED: _____



500 PCS/PER REEL

ADAM TECH

909 Railway Avenue, Union, NJ 07083
 Phone: 908-687-5000 Fax: 908-687-5710

TITLE: MINI USB, TYPE B, 5 pin, SINGLE PORT
 RIGHT ANGLE, TRUE SMT TYPE

UNLESS OTHERWISE SPECIFIED ALL DIMENSIONS ARE INCHES [MM]		TOLERANCES: EXCEPT AS NOTED	
INCHES		HOLES	
.X	± .10	ØXX	± .10
.XX	± .020	ØXXX	± .015
.XXX	± .015	ØXXXX	± .010
APPROVALS		DATE	
DRAWN	DY	5/12/10	
CHECKED			
APPROVED			
SIZE	PART NO.	REF:	SCALE:
X	MUSB-B5-S-RA-TSMT-NP-KT-T/R	S00126T	NTS
REV.		SHEET	2 OF 2

A

B

C

D

A

B

C

D

6

5

4

3

2

1