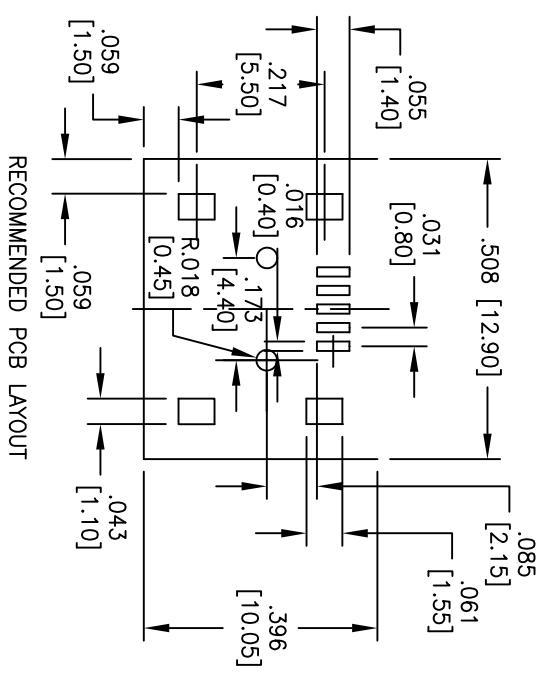
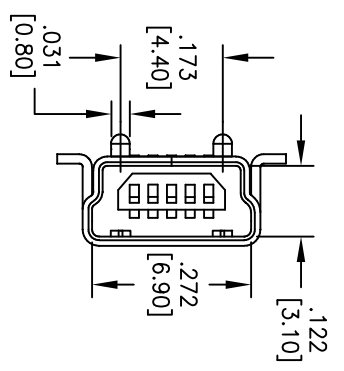
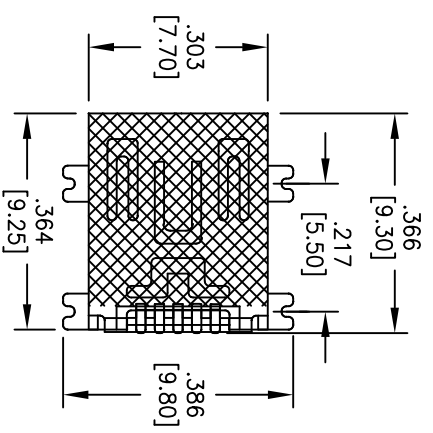
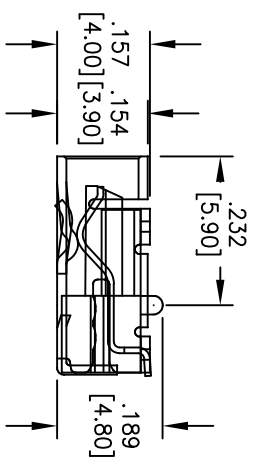


Rev	AWO #	Description	Date	Appr
-		RELEASED	5/11/11	

APPROVED: _____
 DATE: _____ TITLE: _____



RECOMMENDED PCB LAYOUT

PACKAGED ON TAPE & REEL

SPECIFICATIONS:

- Material: Insulator: Nylon 9T, rated UL94V-0
- Insulator color: Black
- Contacts: Phosphor Bronze
- Shell: Brass, Nickel plated
- Plating: Gold Flash over Nickel underplate on contact area, Tin over Copper underplate on SMT tails
- Environmental: Lead free, RoHS compliant.
- Recommended soldering temp: 260°C for 5 sec.



UNLESS OTHERWISE SPECIFIED ALL DIMENSIONS ARE INCHES [MM]	
TOLERANCES: EXCEPT AS NOTED	
X	± .10
.XX	± .020
.XXX	± .015
ØXX	± .015
ØXXX	± .010
APPROVALS	DATE
DRAWN	DY
CHECKED	
APPROVED	

ADAM TECH
 909 Rahway Avenue, Union, NJ 07083
 Phone: 908-687-5000 Fax: 908-687-5710

TITLE	MINI USB, TYPE B, 5 pin, SINGLE PORT
RIGHT ANGLE, SMT	
SIZE	PART NO.
X	MUSB-B5-S-RA-TSMT-KT-T/R
REF: S00174T	SCALE: NTS
	SHEET 1 OF 1