

6

5

4

3

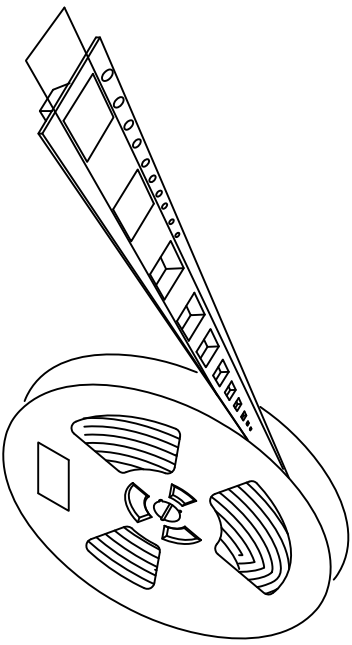
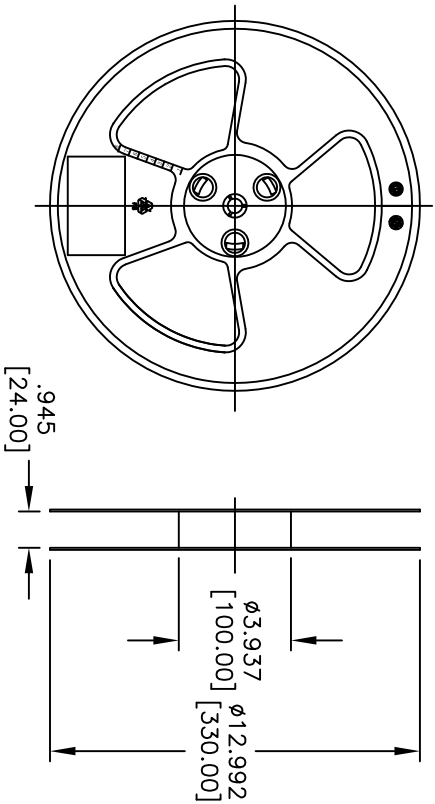
2

1

Rev	AWO #	Description	Date	Appr
		SEE SHT 1 OF 2 FOR REVISION		

APPROVED: _____

DATE: _____ TITLE: _____



500 PCS/PER REEL

ADAM TECH

909 Railway Avenue, Union, NJ 07083
 Phone: 908-687-5000 Fax: 908-687-5710

TITLE: MINI USB, TYPE B, 5 pin, SINGLE PORT
 RIGHT ANGLE, SMT

UNLESS OTHERWISE SPECIFIED ALL DIMENSIONS ARE IN INCHES [MM]		TOLERANCES: EXCEPT AS NOTED	
INCHES	±.10	ØXX	±.10
.XX	±.020	ØXXX	±.015
.XXX	±.015	ØXXXX	±.010
APPROVALS	DATE		
DRAWN	DY	3/22/10	
CHECKED			
APPROVED			
SIZE	PART NO.	REF:	SCALE:
X	MUSB-B5-S-RA-SMT-NP-T/R	S00128T	NIS
REV.		SHEET	2 OF 2
-			

A

B

C

D

A

B

C

D

6

5

4

3

2

1