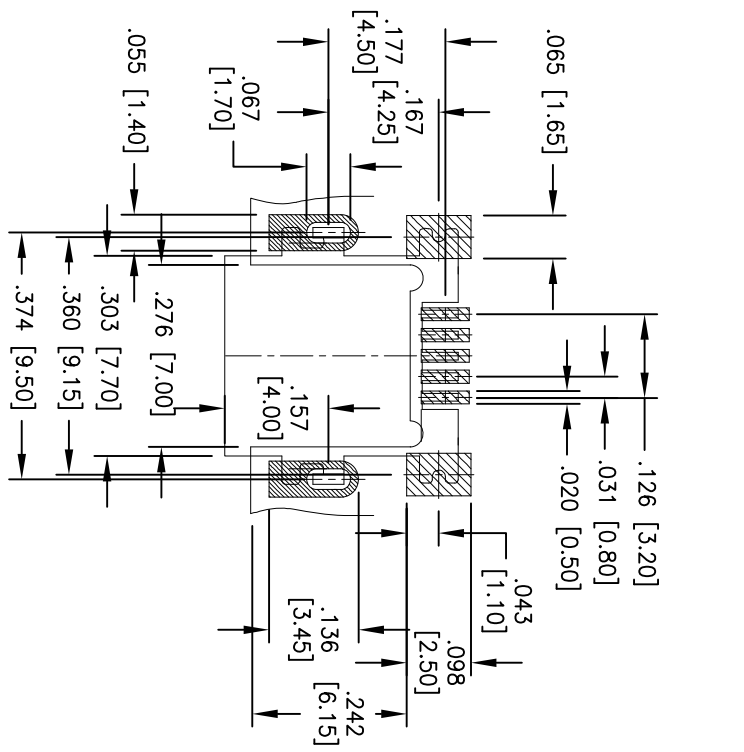
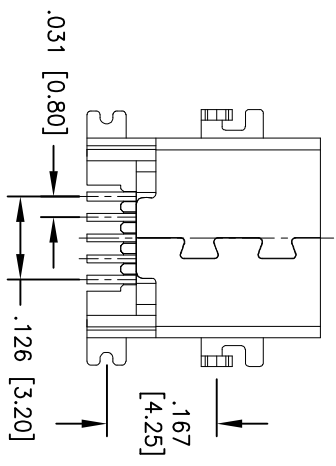
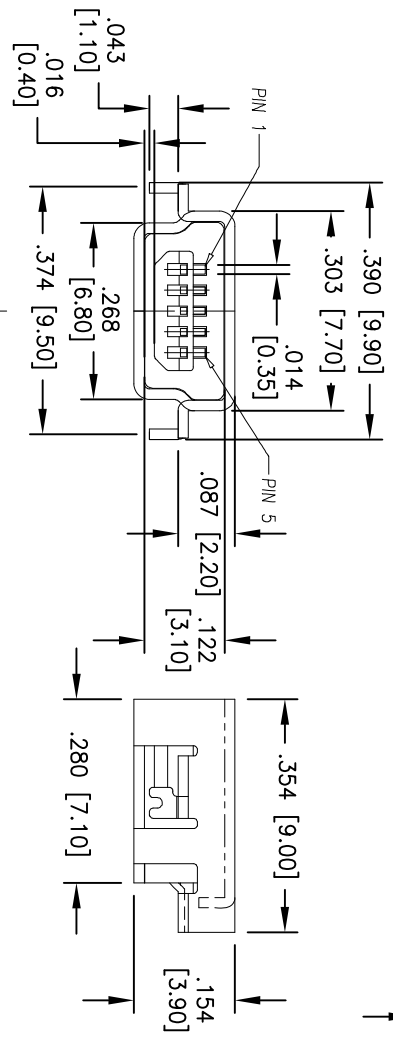
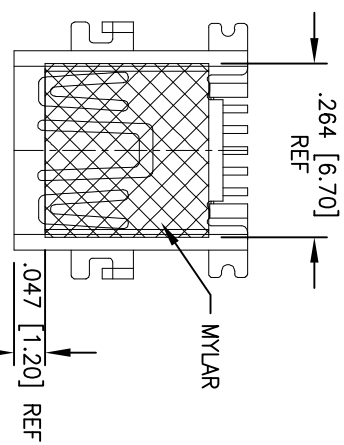
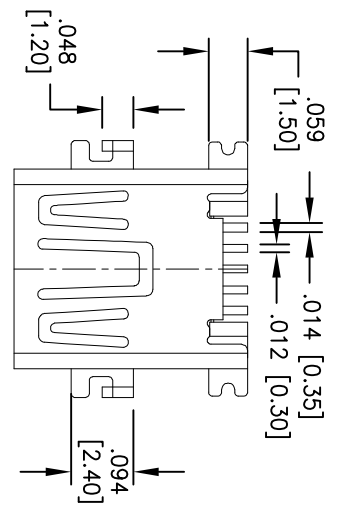


Rev	AWO #	Description	Date	Appr
-		RELEASED	1/17/11	

APPROVED: \_\_\_\_\_  
 DATE: \_\_\_\_\_ TITLE: \_\_\_\_\_



Recommended PCB Layout



PACKAGED ON TAPE & REEL

**SPECIFICATIONS:**

- Material: Insulator: LCP, rated UL94V-0
- Insulator color: Black
- Contacts: Phosphor Bronze
- Shell: Brass, Nickel plated
- Plating: Gold Flash over Nickel underplate on contact area, Tin over Copper underplate on SMT tails

- Electrical: Current rating: 1.5 Amp max.
- Contact resistance: 30 mohms max.
- Insulation resistance: 100 Mohms min.
- Dielectric withstanding voltage: 100 VAC for 1 minute.
- Temperature Rating: Operating temperature: -20°C to +85°C

- Environmental: Lead free, RoHS compliant.
- Recommended soldering temp: 260°C for 5 sec.



UNLESS OTHERWISE SPECIFIED ALL DIMENSIONS ARE INCHES [MM] TOLERANCES: EXCEPT AS NOTED INCHES HOLES	
X	± .10
XX	± .020
XXX	± .015
XXX	± .010

**ADAM TECH**  
 909 Railway Avenue, Union, NJ 07083  
 Phone: 908-687-5000 Fax: 908-687-5710

APPROVALS		TITLE	
DRAWN	AY	1/17/11	DATE
CHECKED	SC	1/17/11	DATE
APPROVED			
SIZE	PART NO.	TITLE	
X	MUSB-B5-S-PA-SMT-EH-KT-TR	MINI USB, TYPE B, 5 PIN, SINGLE PORT RIGHT ANGLE, SMT, MYLAR	
REF:	S0075T	SCALE:	NIS