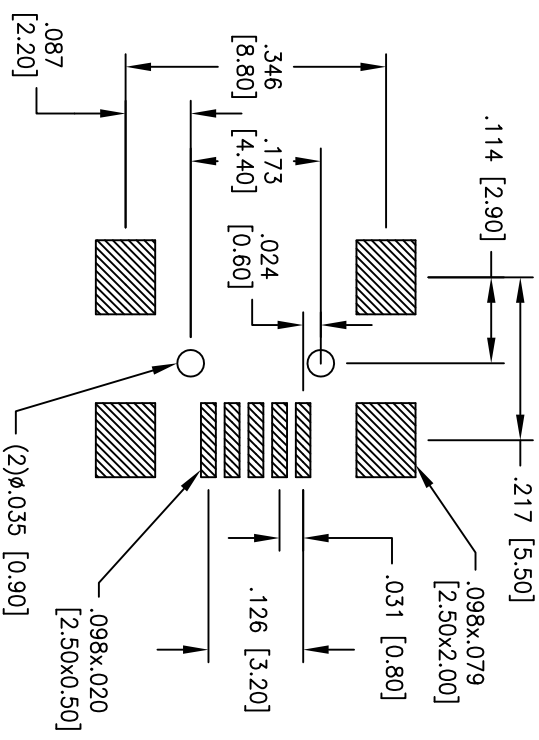
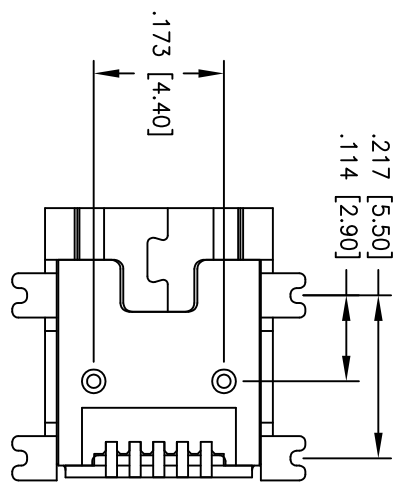
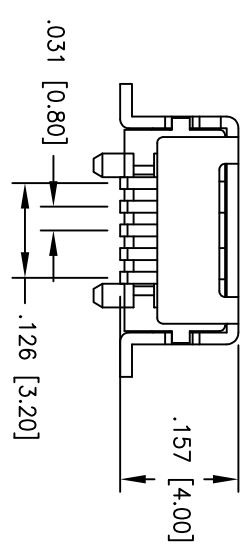
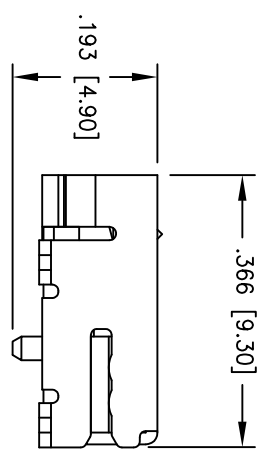
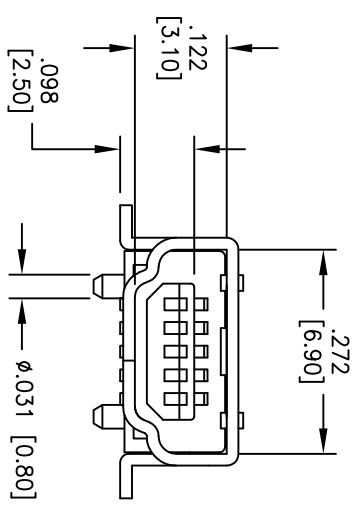


| Rev | AWO # | Description | Date | Appr |
|-----|-------|-------------------|----------|------|
| - | | RELEASED | 12/3/04 | |
| A | | UPDATED WITH RoHS | 12/7/06 | |
| B | | REVISED SPEC. | 12/16/10 | |

APPROVED: _____ TITLE: _____
 DATE: _____



PCB LAYOUT

SPECIFICATIONS:

Material:
 Insulator: Hi-Temp Thermoplastic, rated UL94V-0
 Insulator color: Black
 Contacts: Phosphor Bronze
 Shell: Steel, Tin plated
 Plating:
 Gold Flash over Nickel underplate on contact area, Tin over Copper underplate on SMT tails

Electrical:

Operating voltage: 30 VAC max.
 Current rating: 1 Amp max.
 Contact resistance: 50 mohms max.
 Insulation resistance: 100 Mohms min. @ 500 VDC
 Dielectric withstanding voltage: 250 VAC for 1 minute
 Temperature Rating:
 Operating temperature: -55°C to +105°C
 Environmental:
 Lead free, RoHS compliant.
 Recommended soldering temp: 260°C for 5 sec.



| | |
|---|-------------|
| UNLESS OTHERWISE SPECIFIED ALL DIMENSIONS ARE INCHES [MM] TOLERANCES: EXCEPT AS NOTED | |
| INCHES | HILES |
| .X ± .10 | ØX ± .10 |
| .XX ± .020 | ØXX ± .015 |
| .XXX ± .015 | ØXXX ± .010 |
| APPROVALS | DATE |
| SS | 10/4/04 |
| CHECKED | |
| APPROVED | |

ADAM TECH
 909 Rahway Avenue, Union, NJ 07083
 Phone: 908-687-5000 Fax: 908-687-5710

TITLE: MINI USB, TYPE A, 5 PIN, SINGLE PORT
 RIGHT ANGLE, SMT

SIZE: X
 PART NO.: MUSB-A-S-RA-TSMT
 REF: S00095T
 SCALE: NTS
 SHEET 1 OF 1