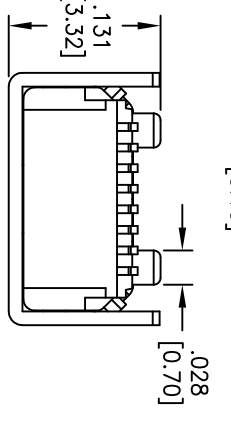
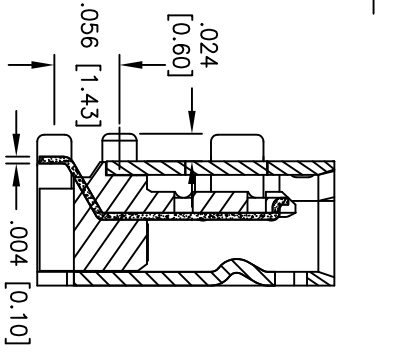
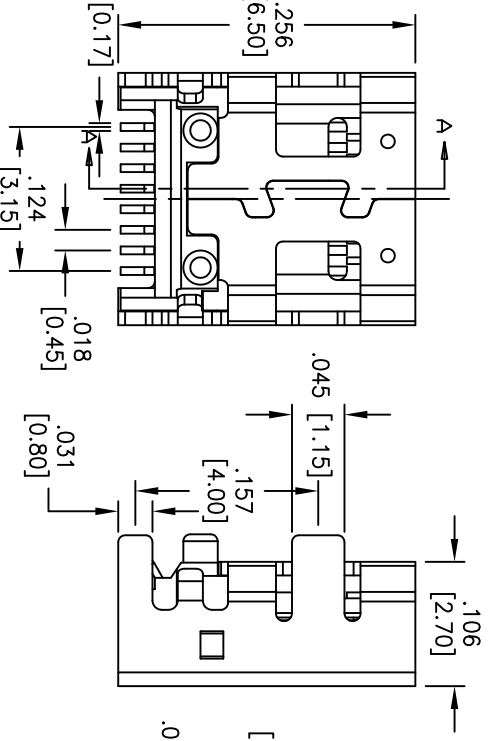
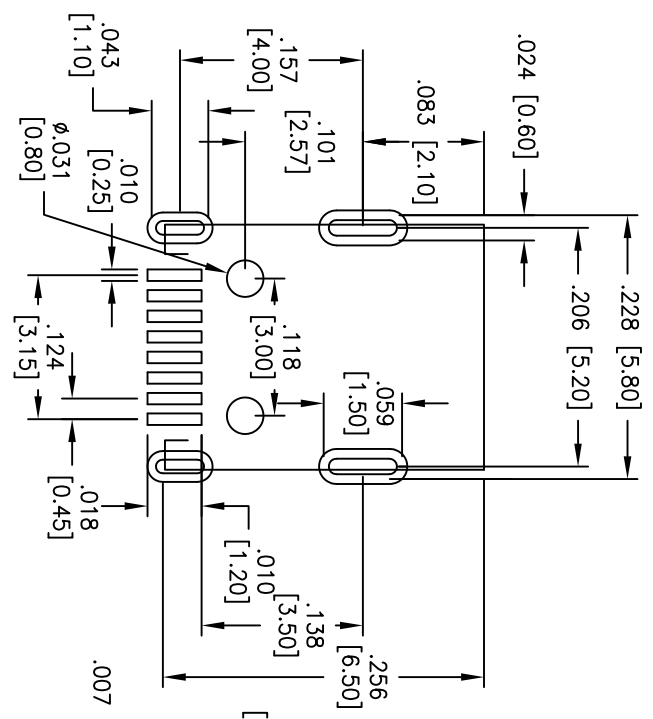
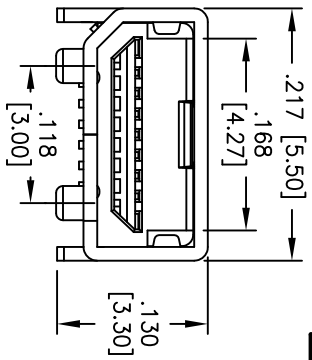


APPROVED: _____ TITLE: _____
 DATE: _____



RECOMMENDED PCB LAYOUT

SPECIFICATIONS:

- Material: Insulator: LCP, rated UL 94V-0
- Contacts: Phosphor Bronze
- Shell: Phosphor Bronze, Nickel plated
- Plating: Gold Flash over Nickel underplate overall

- Electrical: Current rating: 1 Amp max.
- Contact resistance: 30 mohms max.
- Insulation resistance: 1000 Mohms min. @ 500 VDC
- Dielectric withstanding voltage: 500 VAC for 1 minute
- Temperature Rating: Operating temperature: -55°C to +105°C



Lead free, RoHS compliant.
 Recommended soldering temp: 260°C for 5 sec.

Rev	AWO #	Description	Date	Appr
-		RELEASED	5/25/09	
A		REVISED DIM.	4/25/11	

UNLESS OTHERWISE SPECIFIED
 ALL DIMENSIONS ARE MM
 TOLERANCES: EXCEPT AS NOTED
 INCHES
 .X ± .10 ØX ± .10
 .XX ± .020 ØXX ± .015
 .XXX ± .015 ØXXX

ADAM TECH
 909 Railway Avenue, Union, NJ 07083
 Phone: 908-687-5000 Fax: 908-687-5710

DRAWN	DY	5/25/09	SIZE	PART NO.	MUSB-8P-S-RA-SMT	REV.	A
CHECKED			X				
APPROVED			REF:	S00106T	SCALE:	NIS	SHEET 1 OF 1