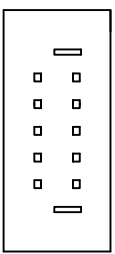
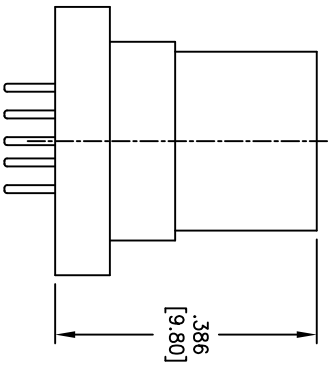
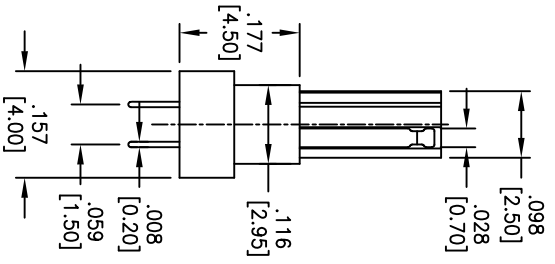
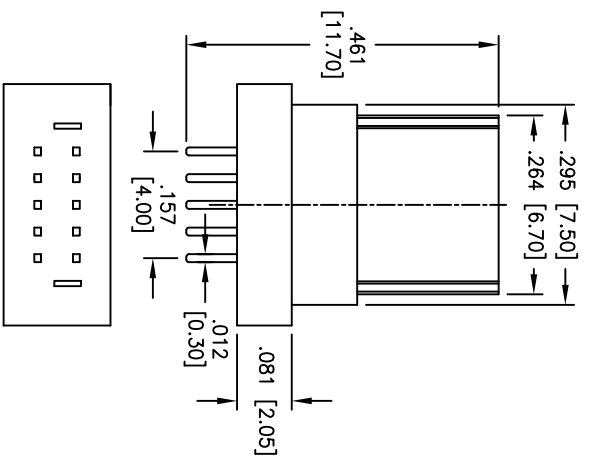
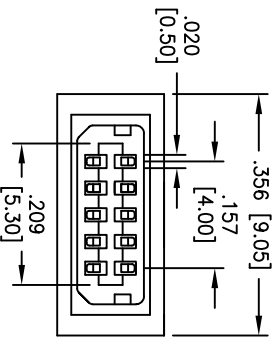


Rev	AWO #	Description	Date	Appr
-		RELEASED	10/23/09	

APPROVED: _____ TITLE: _____
 DATE: _____



SPECIFICATIONS:

- Material: Insulator: PBT, glass reinforced, rated UL 94V-0
- Insulator color: Black
- Contacts: Brass
- Shell: Stainless Steel, Tin over Nickel plated
- Plating: Gold Flash over Nickel underplate overall
- Electrical: Current rating: 1 Amp max.
- Contact resistance: 30 mohms max.
- Insulation resistance: 1000 Mohms min. @ 500 VDC
- Dielectric withstanding voltage: 500 VAC for 1 minute
- Temperature Rating: Operating temperature: -55°C to +105°C
- Environmental: Lead free, RoHS compliant.
- Recommended soldering temp: 235°C for 5 sec.



ADAM TECH

909 Railway Avenue, Union, NJ 07083
 Phone: 908-687-5000 Fax: 908-687-5710

TITLE: MINI USB, 10P, MALE PLUG,
 PCB MOUNT

UNLESS OTHERWISE SPECIFIED ALL DIMENSIONS ARE MM TOLERANCES: EXCEPT AS NOTED INCHES		DATE	
.X ± .10	ØXX ± .10	± .10	
.XX ± .020	ØXXX ± .015	± .015	
.XXX ± .015	ØXXXX ± .010	± .010	
APPROVALS:		DATE	
DRAWN	DY	11/23/09	
CHECKED			
APPROVED			

SIZE	PART NO.	REV.
X	MUSB-10P-PLUG	-
REF: S0007T	SCALE: NTS	SHEET 1 OF 1