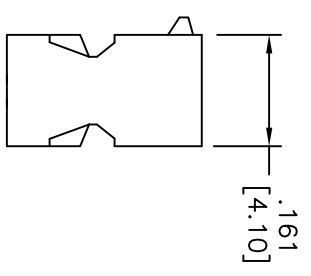
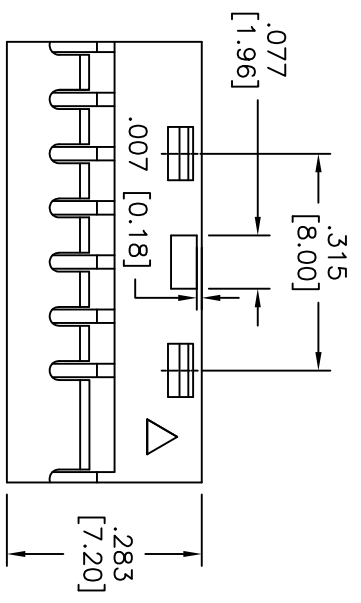
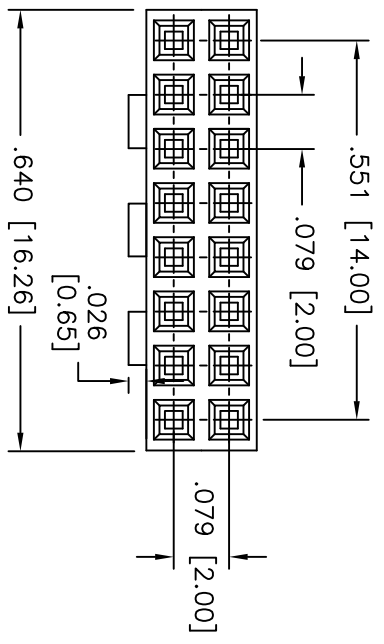


Rev	AWO #	Description	Date	Appr
-		RELEASED	8/10/10	

APPROVED: _____
 DATE: _____ TITLE: _____



SPECIFICATIONS:

Material: _____
 Insulator: P.P.O, rated UL 94V-1
 Insulator color: Black
 Electrical: _____
 Operating voltage: 150V AC/DC
 Current rating: 1A AC/DC
 Insulation resistance: 1000 Mohms min
 Withstanding voltage: 1500 VAC for 1 minute
 Environmental: _____
 Lead free, RoHS compliant.



UNLESS OTHERWISE SPECIFIED
 ALL DIMENSIONS ARE MM [INCHES]
 TOLERANCES: EXCEPT AS NOTED

INCHES	HOLES
.X ± .10	ØX ± .10
.XX ± .020	ØXXX ± .015
.XXX ± .015	ØXXX ± .010

APPROVALS

DATE	DATE

DRAWN: DY 8/10/10
 CHECKED: _____
 APPROVED: _____

ADAM TECH
 909 Rahway Avenue, Union, NJ 07083
 Phone: 908-687-5000 Fax: 908-687-5710

TITLE: HOUSING, .079 [2.00] PITCH

SIZE	PART NO.	REV.
X	MTZ-16	-

REF: S0063T SCALE: NTS SHEET 1 OF 1

6 5 4 3 2 1