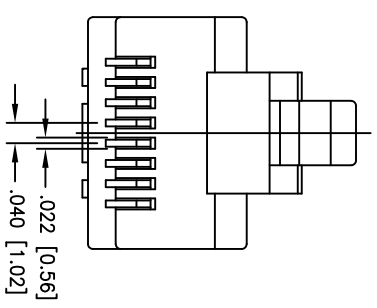
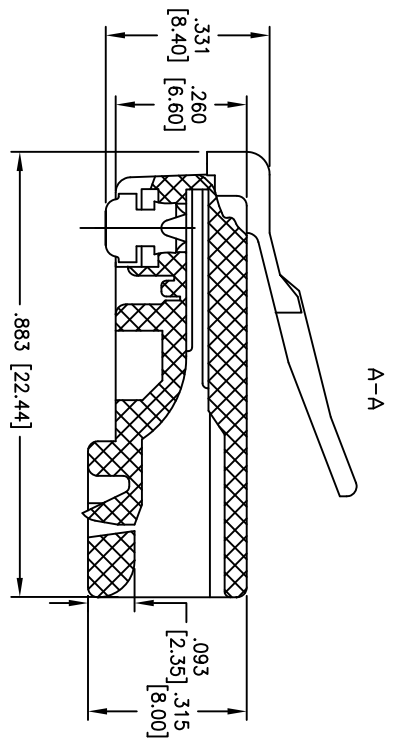
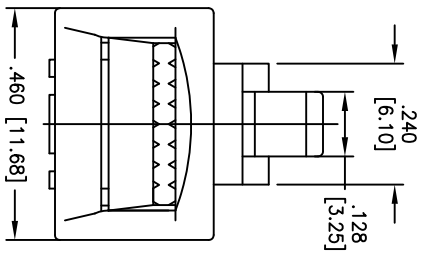
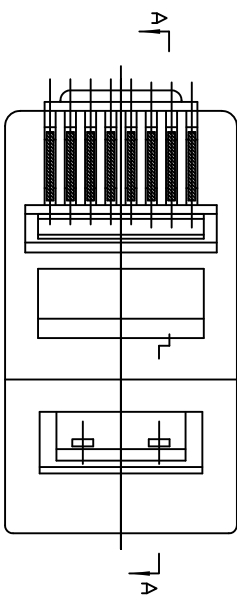


Rev	AWO #	Description	Date	Appr
-		RELEASED	9/27/10	

APPROVED: \_\_\_\_\_

DATE: \_\_\_\_\_ TITLE: \_\_\_\_\_



"X"	GOLD PLATING
U	15 µin
W	30 µin
G	50 µin

REPLACE "X" IN PART NUMBER WITH GOLD THICKNESS DESIGNATOR Reference.

**SPECIFICATIONS:**

- Material: Polycarbonate, rated UL 94V-0
- Insulator color: Clear
- Contacts: Phosphor Bronze
- Plating: Gold over Nickel underplate overall, See chart for thickness
- Electrical:
  - Operating voltage: 150 VAC max
  - Current rating: 1.5 Amps max
  - Insulation resistance: 1000 Mohms min @ 500 VDC
  - Dielectric withstanding voltage: 1000 VAC for 1 minute
- Temperature Rating:
  - Operating temperature: -65°C to +125°C
- Environmental: Lead free, RoHS compliant.



**ADAM TECH**

909 Railway Avenue, Union, NJ 07083  
 Phone: 908-687-5000 Fax: 908-687-5710

MODULAR TELEPHONE PLUG, 8P8C, CAT5e

UNLESS OTHERWISE SPECIFIED ALL DIMENSIONS ARE INCHES [MM] TOLERANCES: EXCEPT AS NOTED		INCHES		HOLDERS	
.X	± .10	ØXX	± .10		
.XX	± .020	ØXXX	± .015		
.XXX	± .015	ØXXXX	± .010		
APPROVALS		DATE		TITLE	
DRAWN	AY	9/27/10		PART NO.	
CHECKED	VW	9/27/10		MTPR-88-X	
APPROVED				SCALE:	NTS
REV.		SIZE	SHEET 1 OF 1		
		X			
		REF:	S00005C		